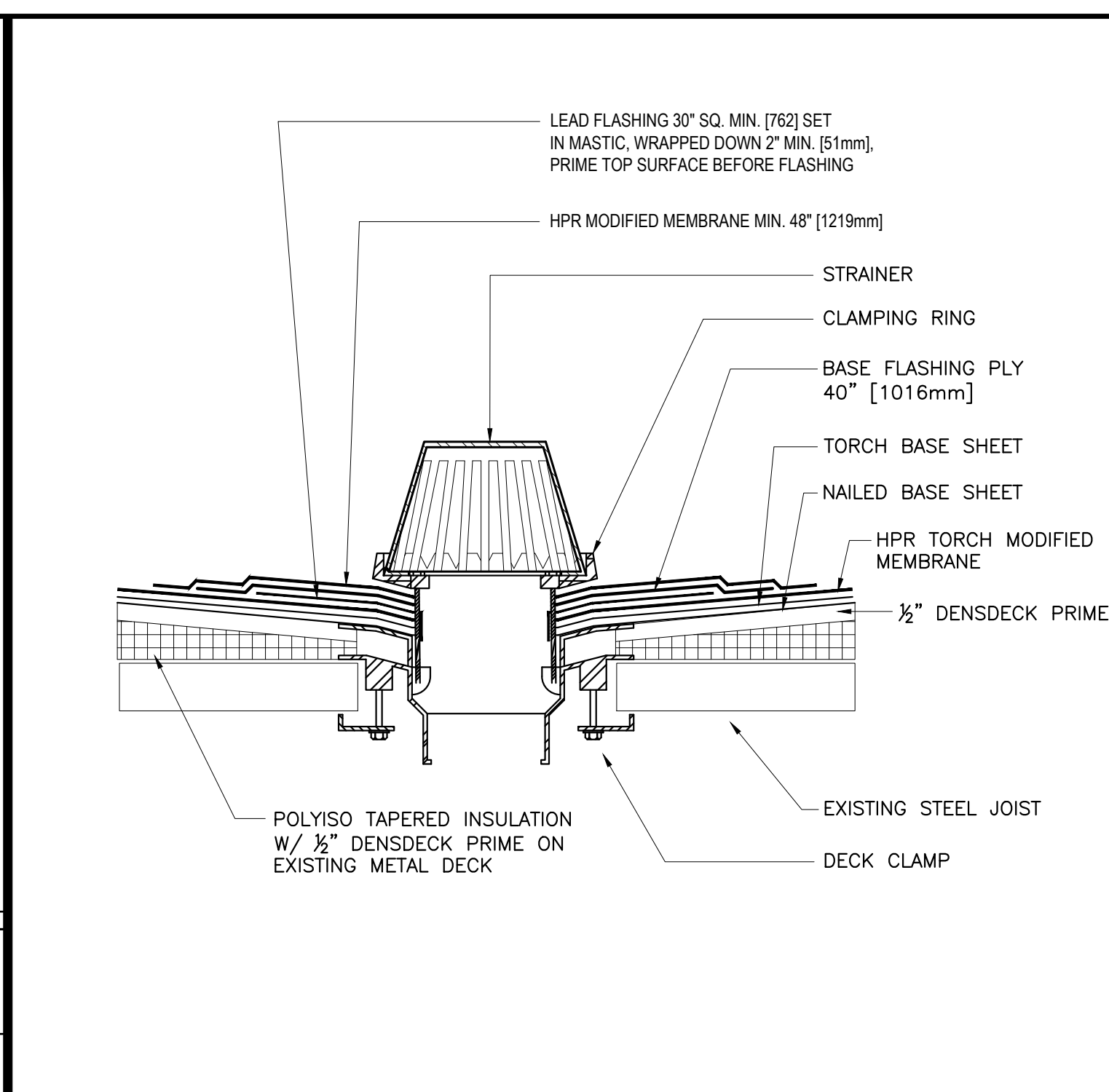
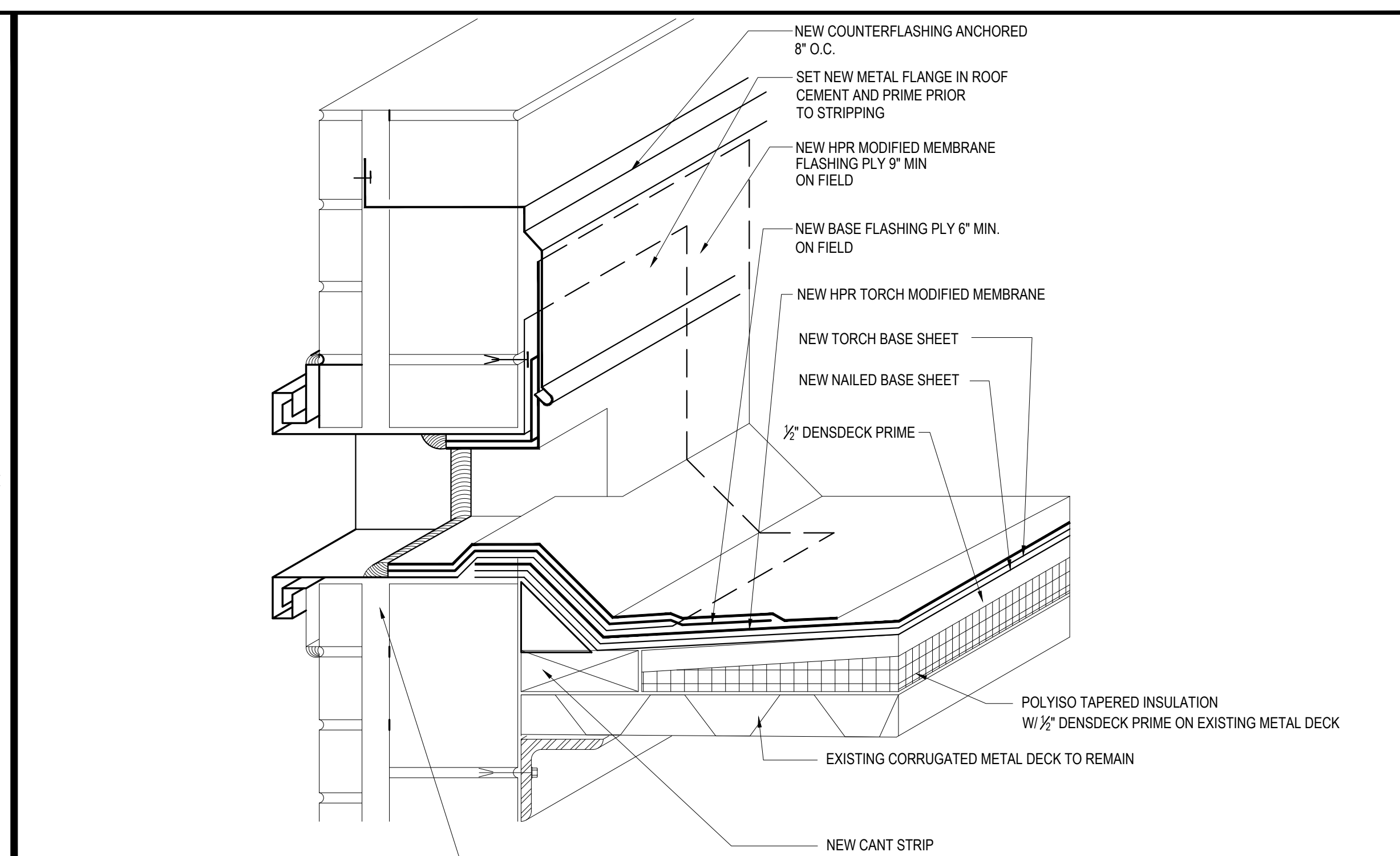


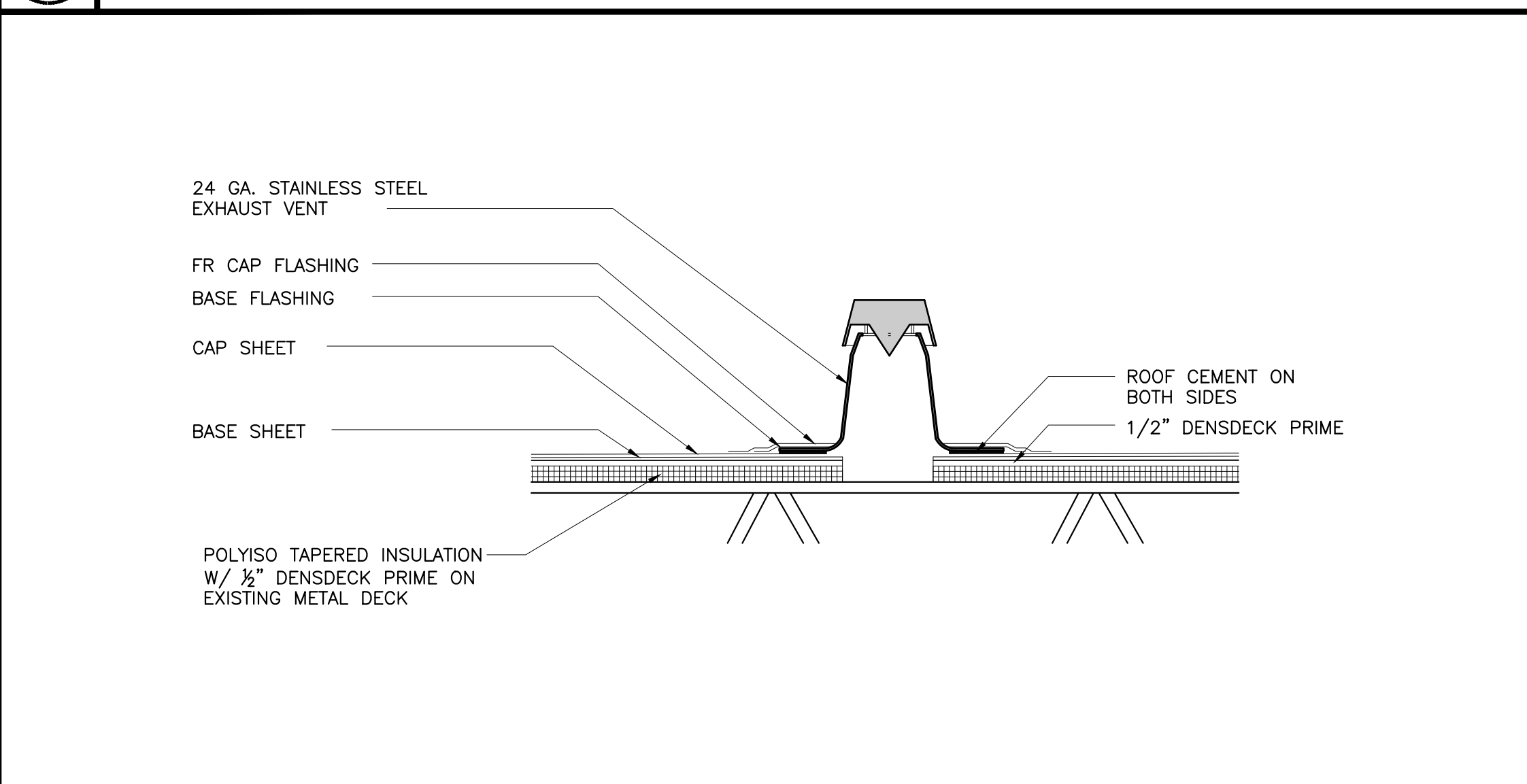
1 NEW ROOF TOP EQUIPMENT CURB ATTACHMENT DETAIL AT FLAT ROOF
SCALE: 3"=1'-0"



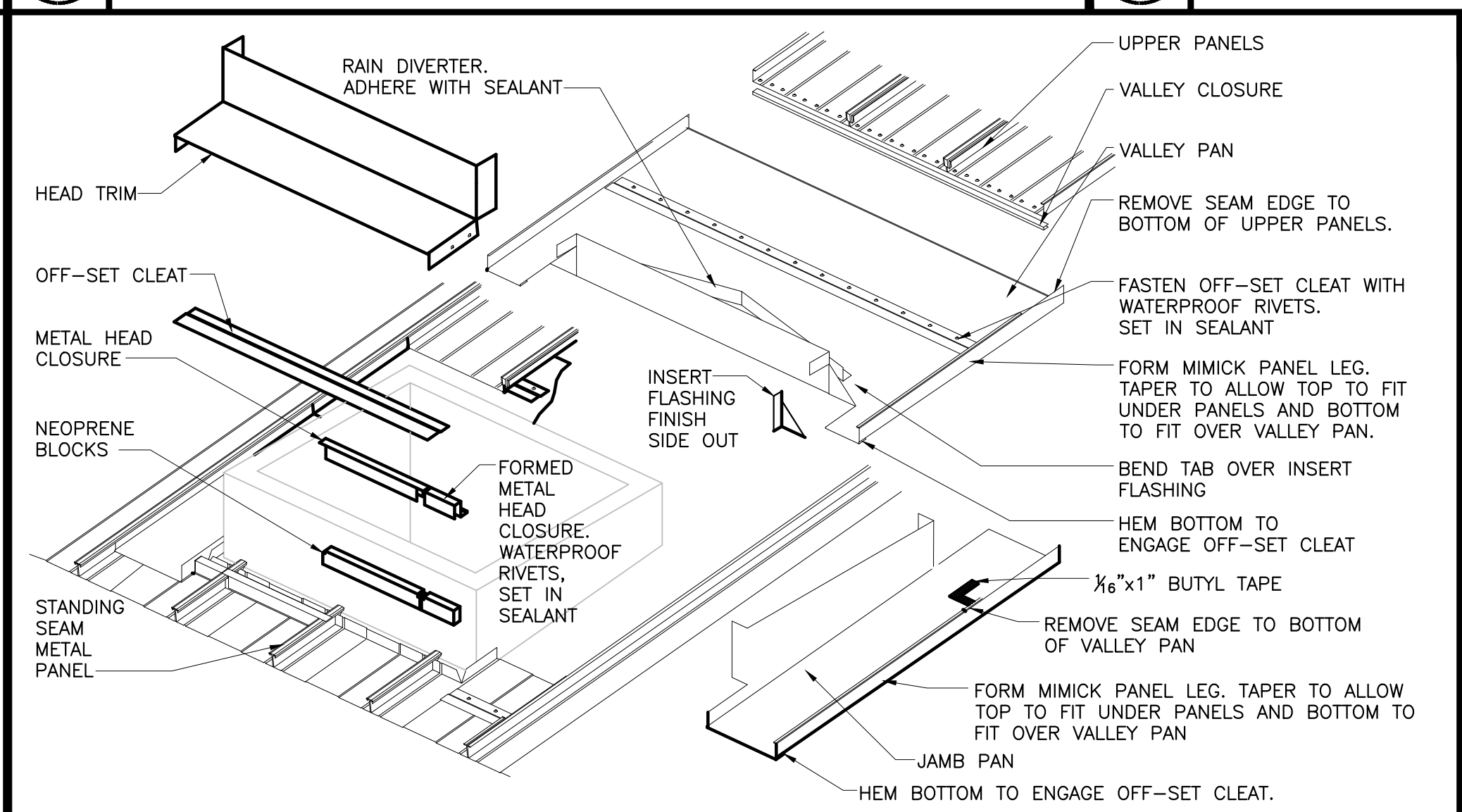
2 NEW ROOF DRAIN DETAIL AT FLAT ROOF
SCALE: NTS



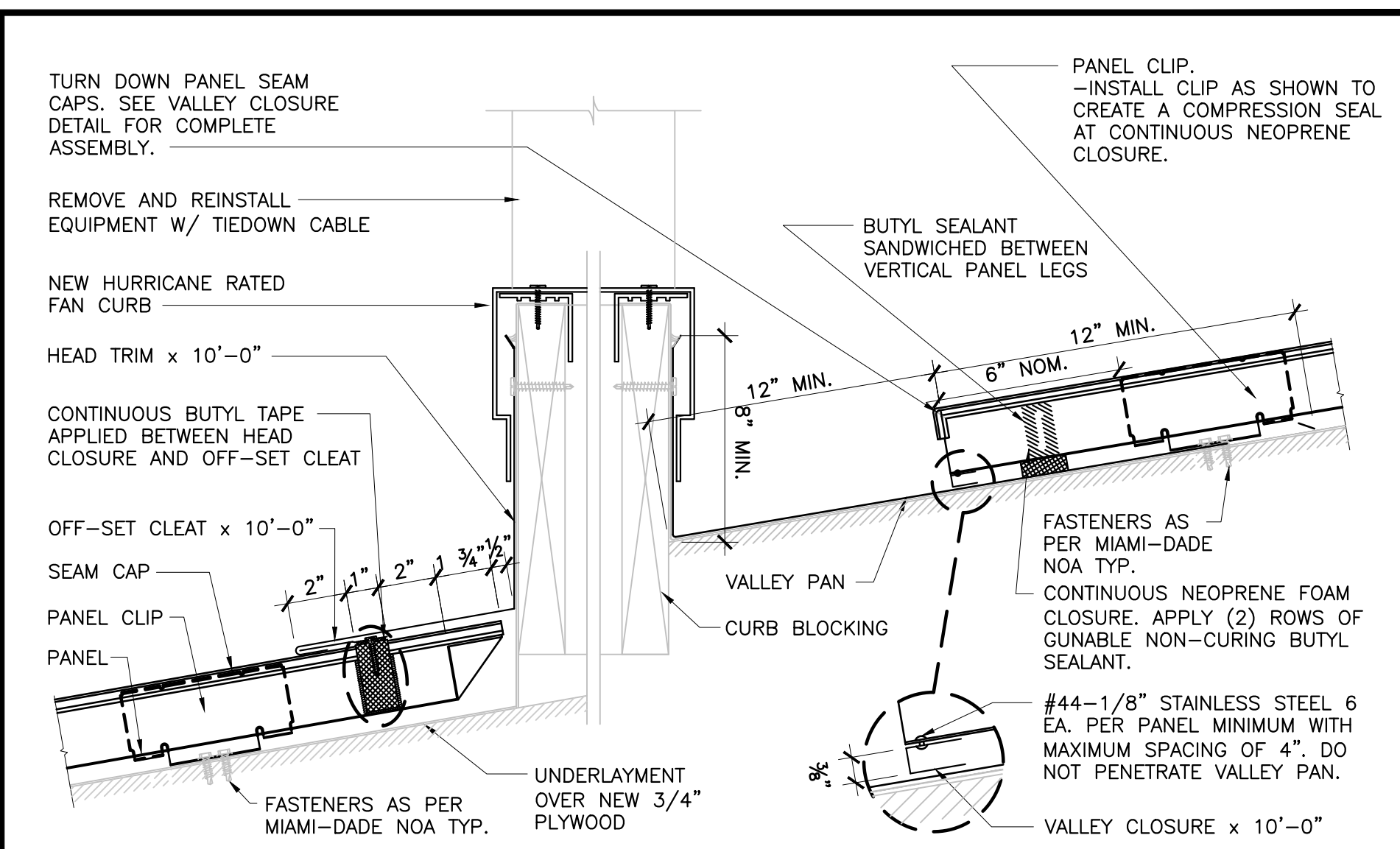
3 NEW OVERFLOW SCUPPER DETAIL AT FLAT ROOF
SCALE: NTS



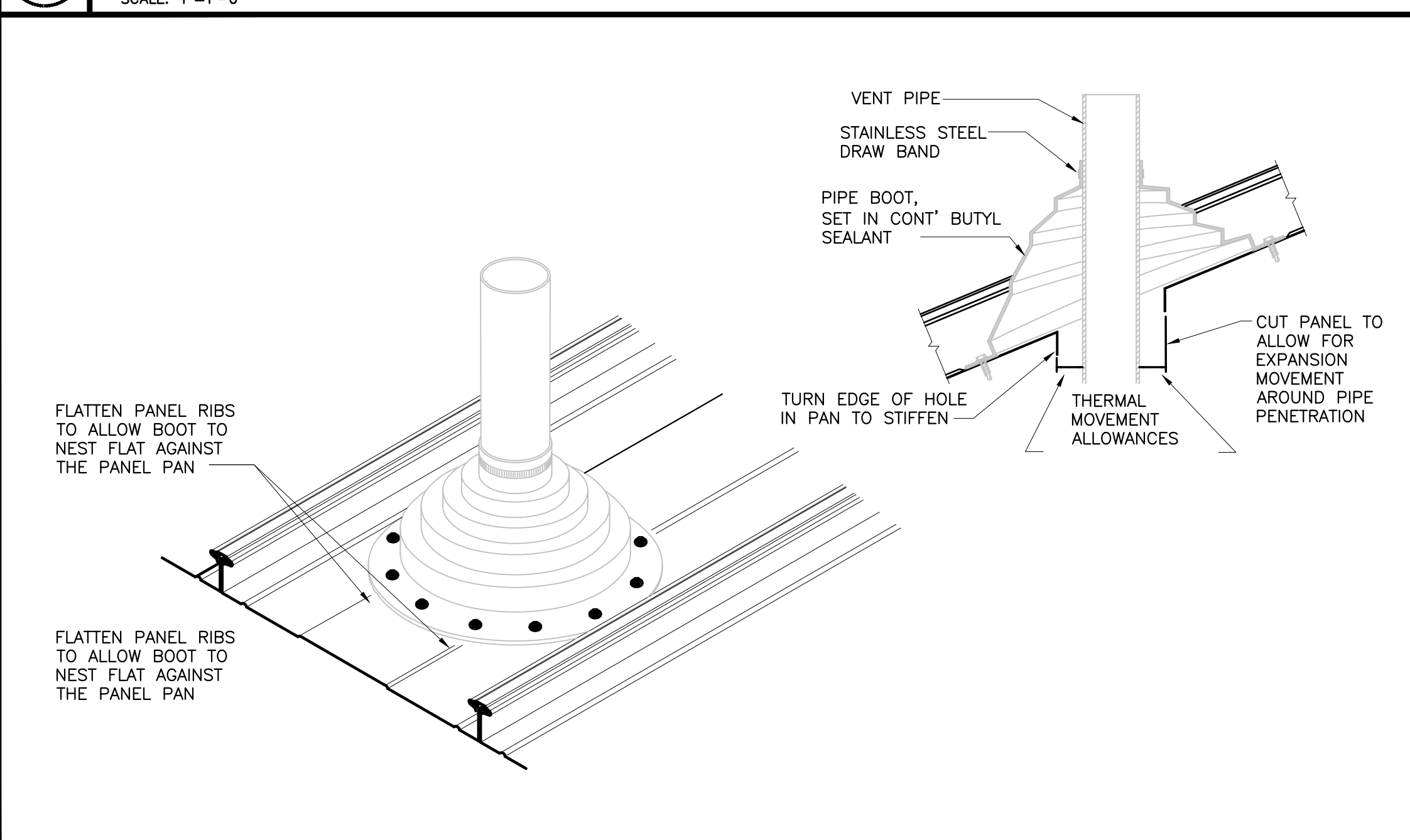
4 EXHAUST VENT DETAIL AT FLAT ROOF
SCALE: 1"=1'-0"



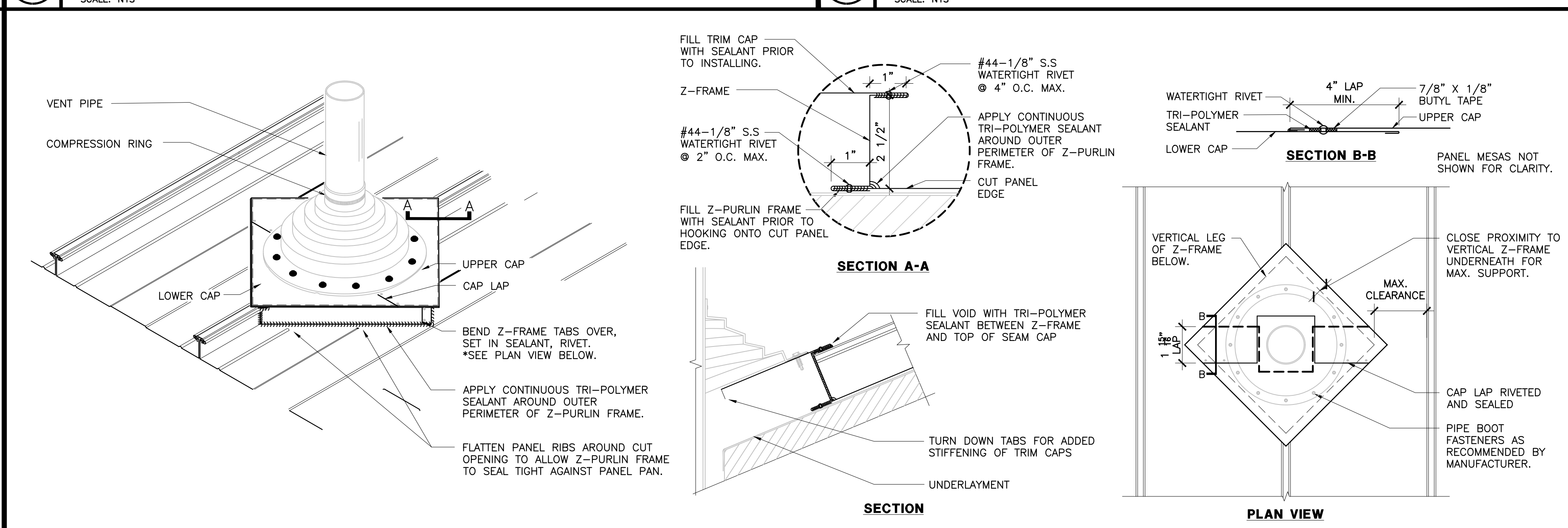
5 TYPICAL CURB ASSEMBLY DETAIL AT STANDING SEAM METAL ROOF
SCALE: NTS



6 CURB SECTION DETAIL AT STANDING SEAM METAL ROOF
SCALE: NTS



7 PIPE BOOT THROUGH PANEL PAN DETAIL
SCALE: NTS



8 PIPE BOOT THROUGH PANEL SEAM DETAIL
SCALE: NTS

WALTERS ZACKRIA ARCHITECTS
5813 N. ANDREWS WAY
FORT LAUDERDALE, FL 33309
PHONE: (954) 522-4123
FAX: (954) 522-4128
www.wza-architects.com

Abbas H. Zackria, FL AR 91520
Florida Registration: AA2600970

CORPORATE NAME: WALTERS ZACKRIA ASSOCIATES, PLLC REGISTERED IN THE STATE OF FLORIDA. WRITTEN DIMENSIONS TAKE PRECEDENCE OVER SCALED DIMENSIONS. THESE DRAWINGS ARE THE PROPERTY OF WALTERS ZACKRIA ASSOCIATES, PLLC, AND SHALL NOT BE REPRODUCED WITHOUT WRITTEN PERMISSION FROM A PRINCIPAL OF THE FIRM OR BE LIABLE FOR THE FULLEST LEGAL RECOURSE. CONTRACTOR SHALL VERIFY ALL EXISTING CONDITIONS AND DIMENSIONS AND NOTIFY THE ARCHITECT OF ANY DISCREPANCIES PRIOR TO EXECUTION OF WORK.

CITY OF NORTH LAUDERDALE
FIRE STATION 44 RENOVATION
WIND MITIGATION PROJECT
7700 HAMPTON BLVD.
NORTH LAUDERDALE, FL 33068

DRAWN BY: OM/AC
CHECKED BY: AZ
DATE: 03/12/20
REVISIONS:

1905
SHEET
A5.02
ROOF DETAILS