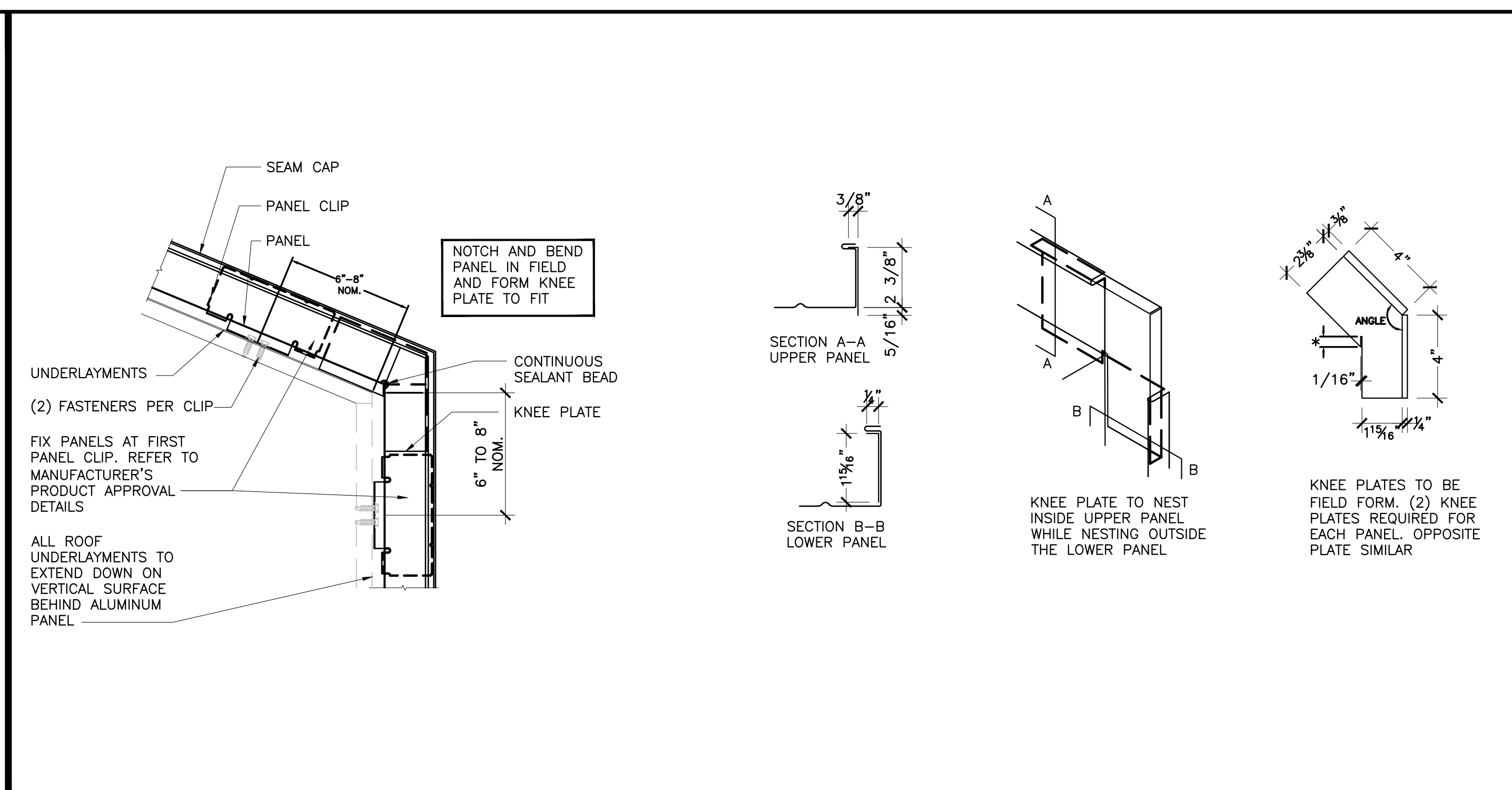
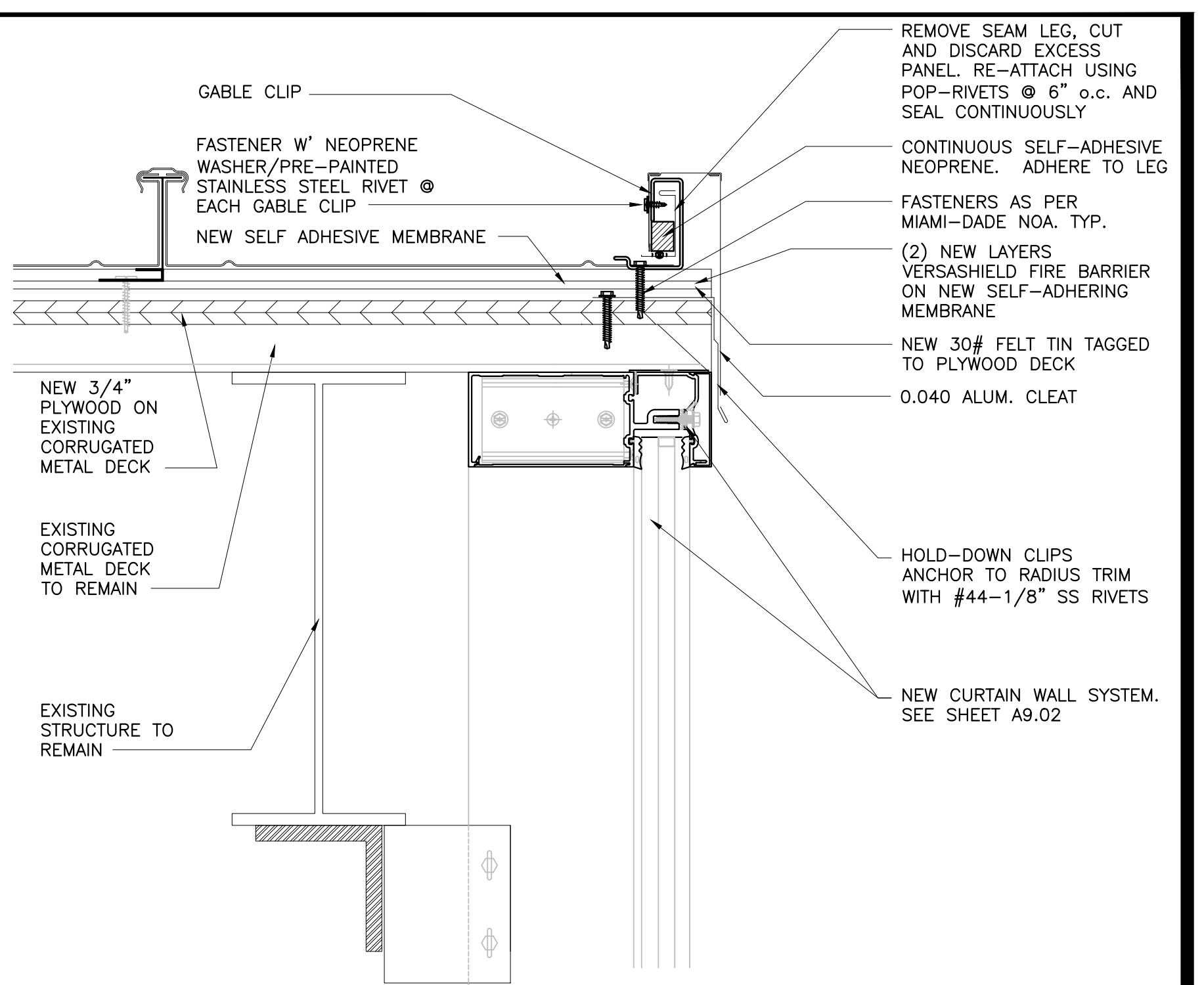


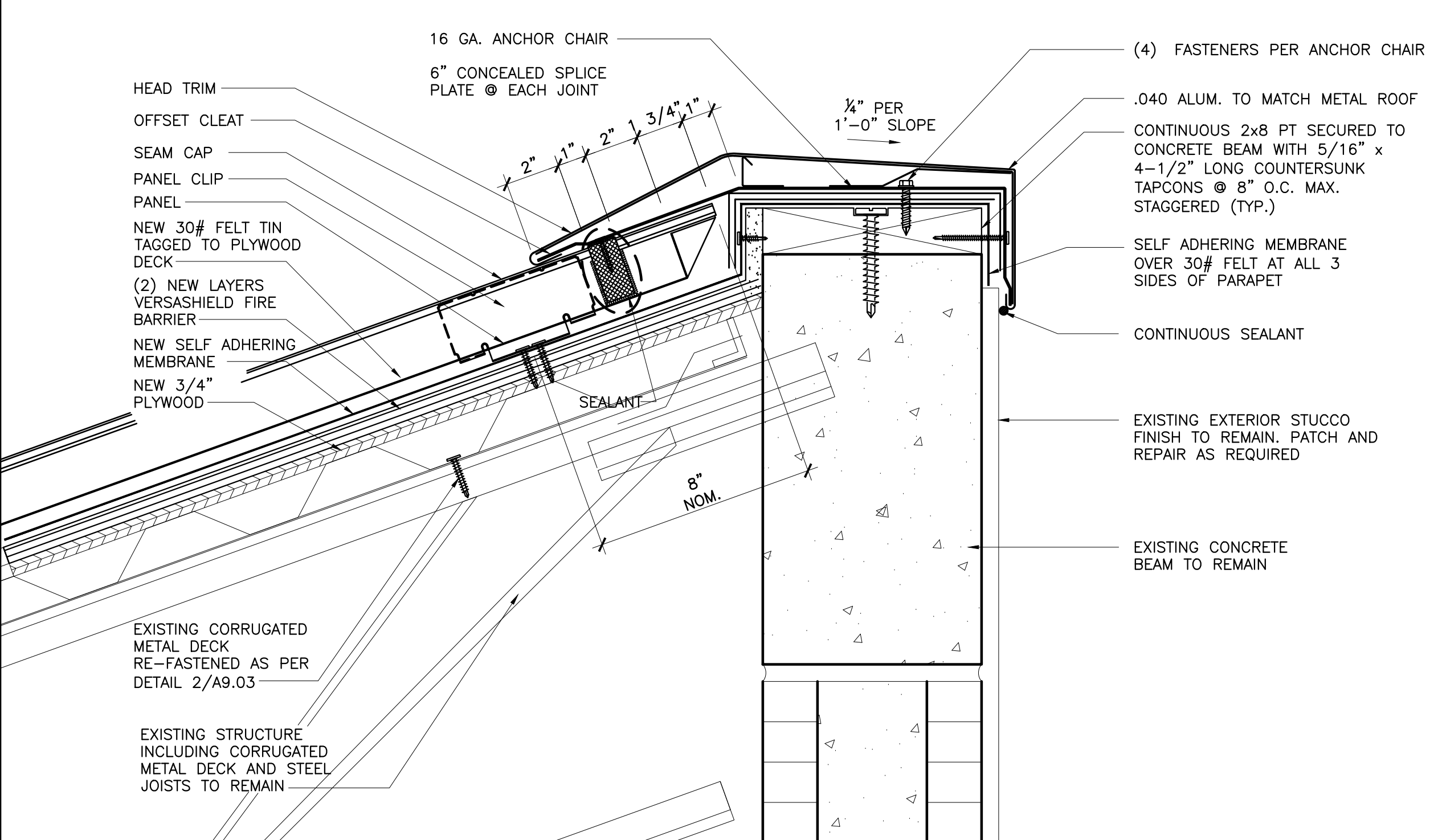
**1** EXHAUST VENT DETAIL AT STANDING SEAM METAL ROOF  
SCALE: NTS



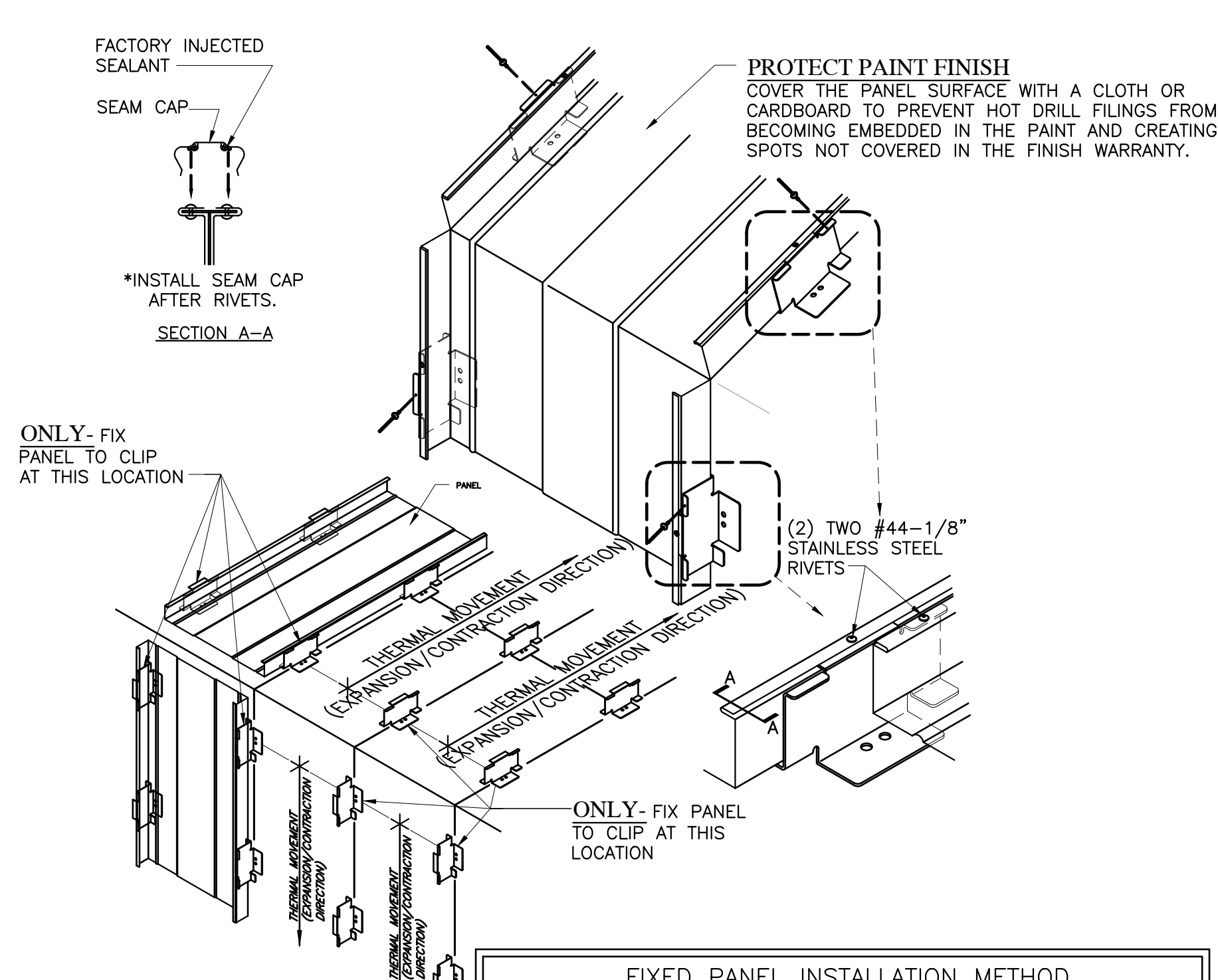
**2** CHANGE OF PLATE - KNEE DETAIL  
SCALE: 3\"/>



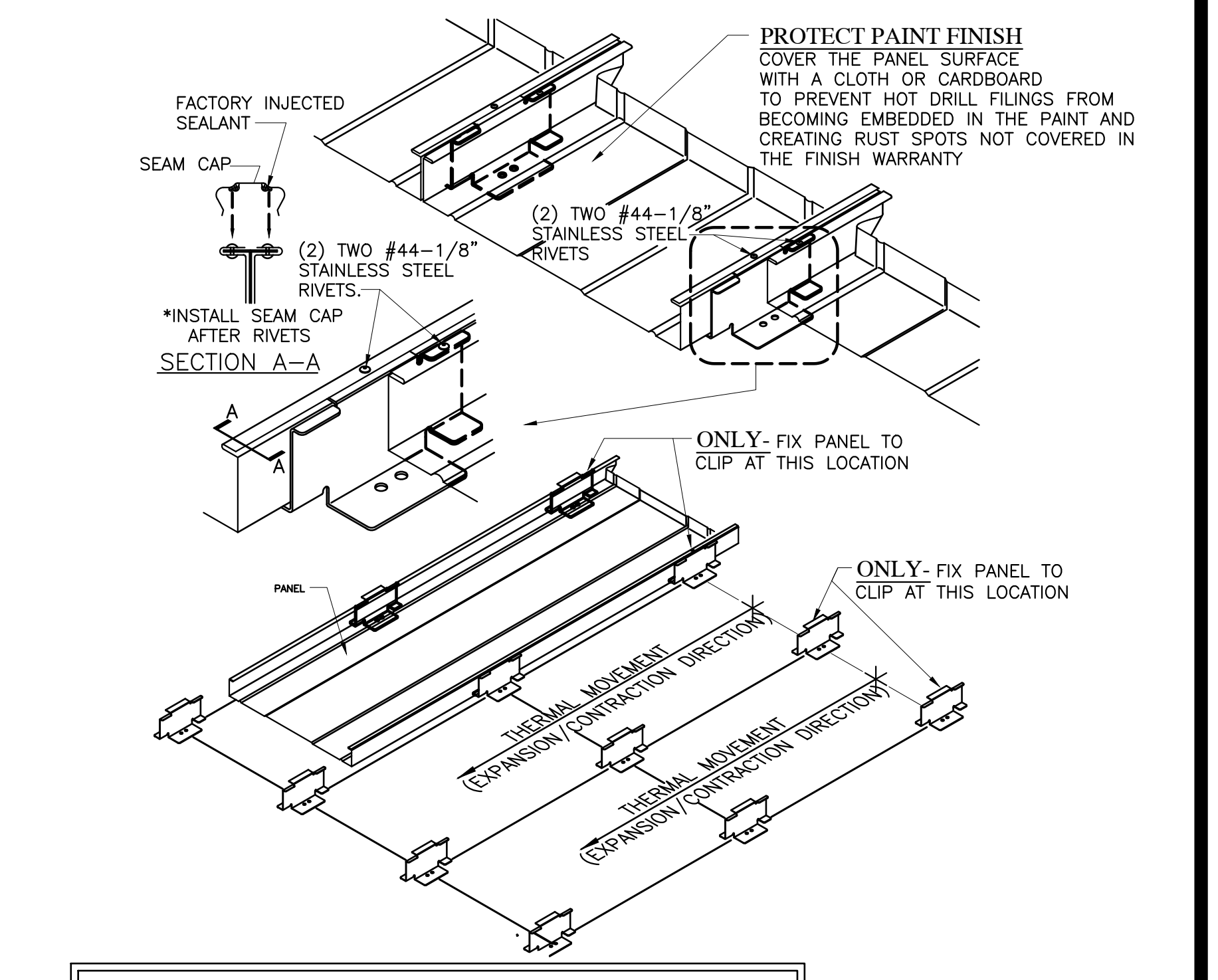
**4** GABLE DETAIL  
SCALE: NTS



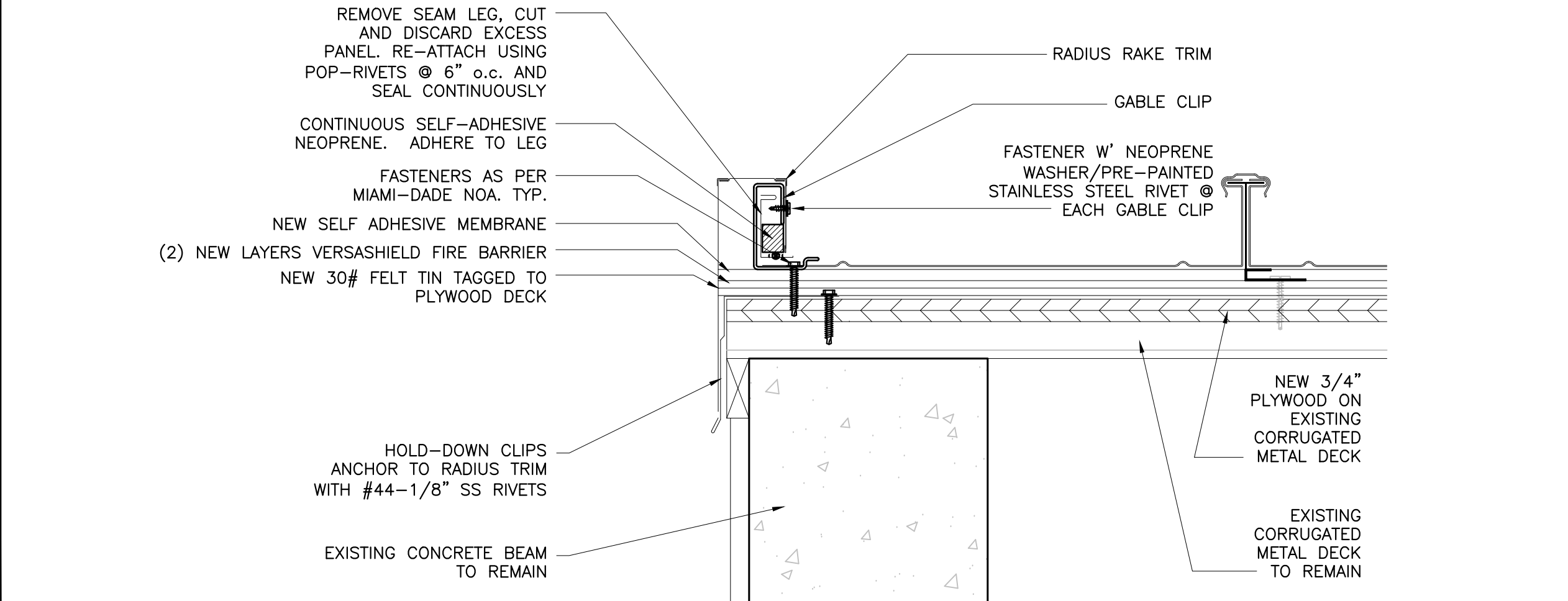
**5** STANDING SEAM-STUCCO WALL COPING DETAIL  
SCALE: NTS



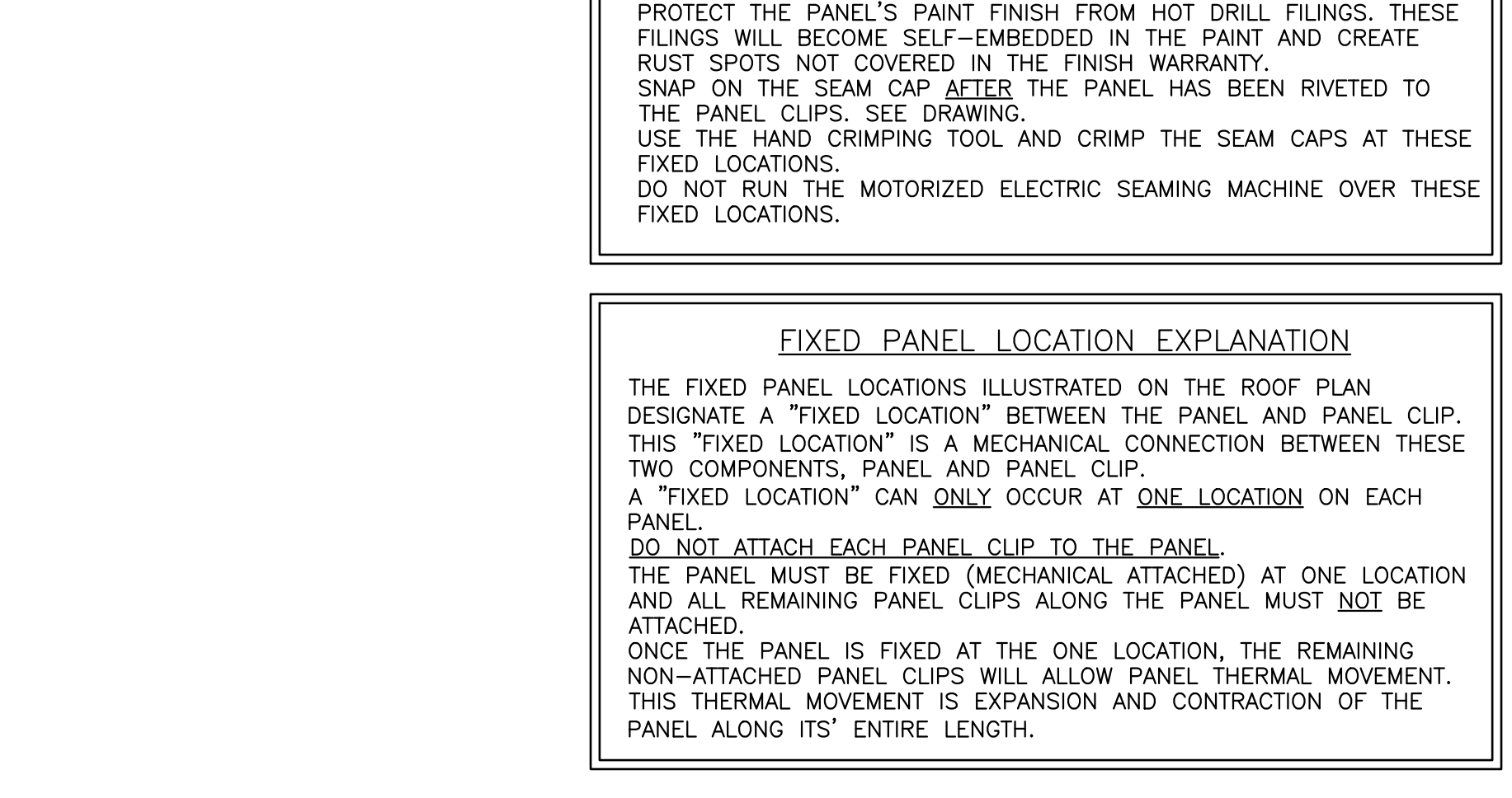
**3** KNEE PLATE ASSEMBLY DETAIL  
SCALE: 3\"/>



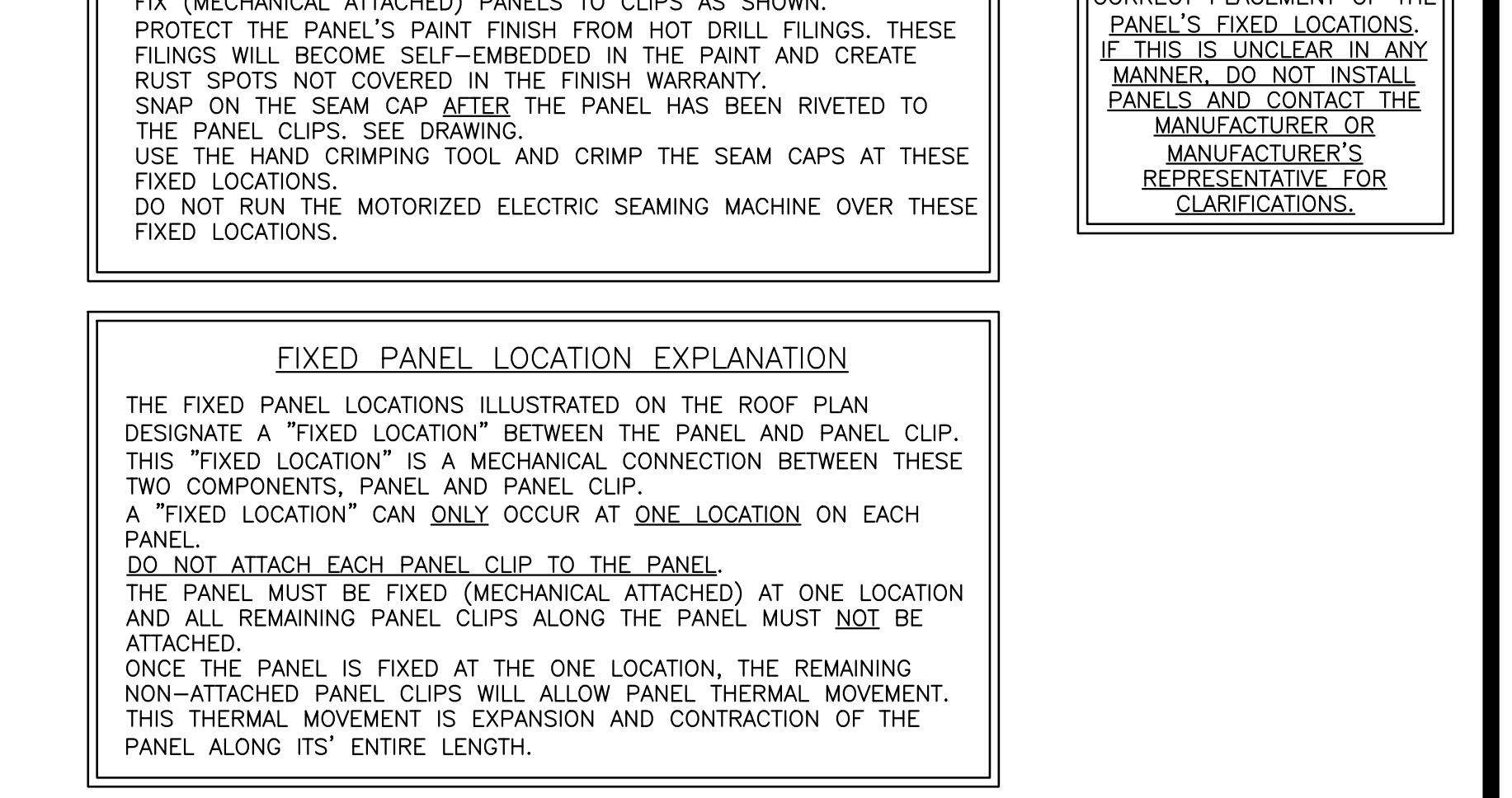
**6** GABLE DETAIL  
SCALE: NTS



**6** GABLE DETAIL  
SCALE: NTS



**7** FIXED VERTICAL PANEL DETAIL  
SCALE: 3\"/>



**8** FIXED PANEL DETAIL  
SCALE: 3\"/>

**WALTERS ZACKRIA ARCHITECTS**  
5813 N. ANDREWS WAY  
FORT LAUDERDALE, FL 33309  
PHONE: (954) 522-4123  
FAX: (954) 522-4128  
www.wza-architects.com

Abbas H. Zackria, FL AR 91520  
Florida Registration: AA2600970

CORPORATE NAME: WALTERS ZACKRIA ASSOCIATES, PLLC REGISTERED IN THE STATE OF FLORIDA. WRITTEN DIMENSIONS TAKE PRECEDENCE OVER SCALED DIMENSIONS. THESE DRAWINGS ARE THE PROPERTY OF WALTERS ZACKRIA ASSOCIATES, PLLC, AND SHALL NOT BE REPRODUCED WITHOUT WRITTEN PERMISSION FROM A PRINCIPAL OF THE FIRM OR BE LIABLE FOR THE FULLEST LEGAL RECOURSE. CONTRACTOR SHALL VERIFY ALL EXISTING CONDITIONS AND DIMENSIONS AND NOTIFY THE ARCHITECT OF ANY DISCREPANCIES PRIOR TO EXECUTION OF WORK.

**CITY OF NORTH LAUDERDALE  
FIRE STATION 44 RENOVATION  
WIND MITIGATION PROJECT  
7700 HAMPTON BLVD.  
NORTH LAUDERDALE, FL 33068**

DRAWN BY: OM/AC  
CHECKED BY: AZ  
DATE: 03/12/20  
REVISIONS:

1905  
SHEET  
**A5.03**  
ROOF DETAILS