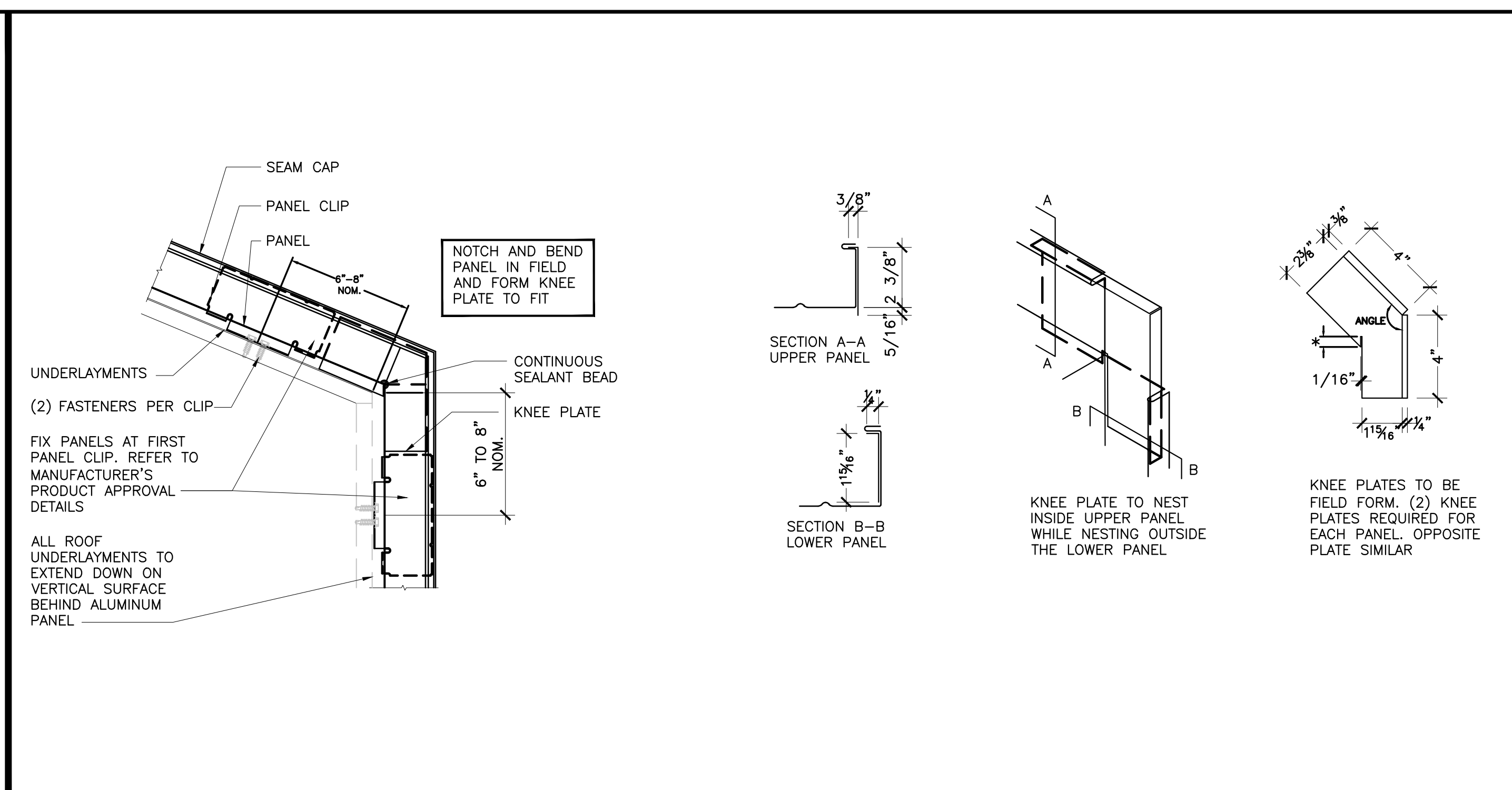
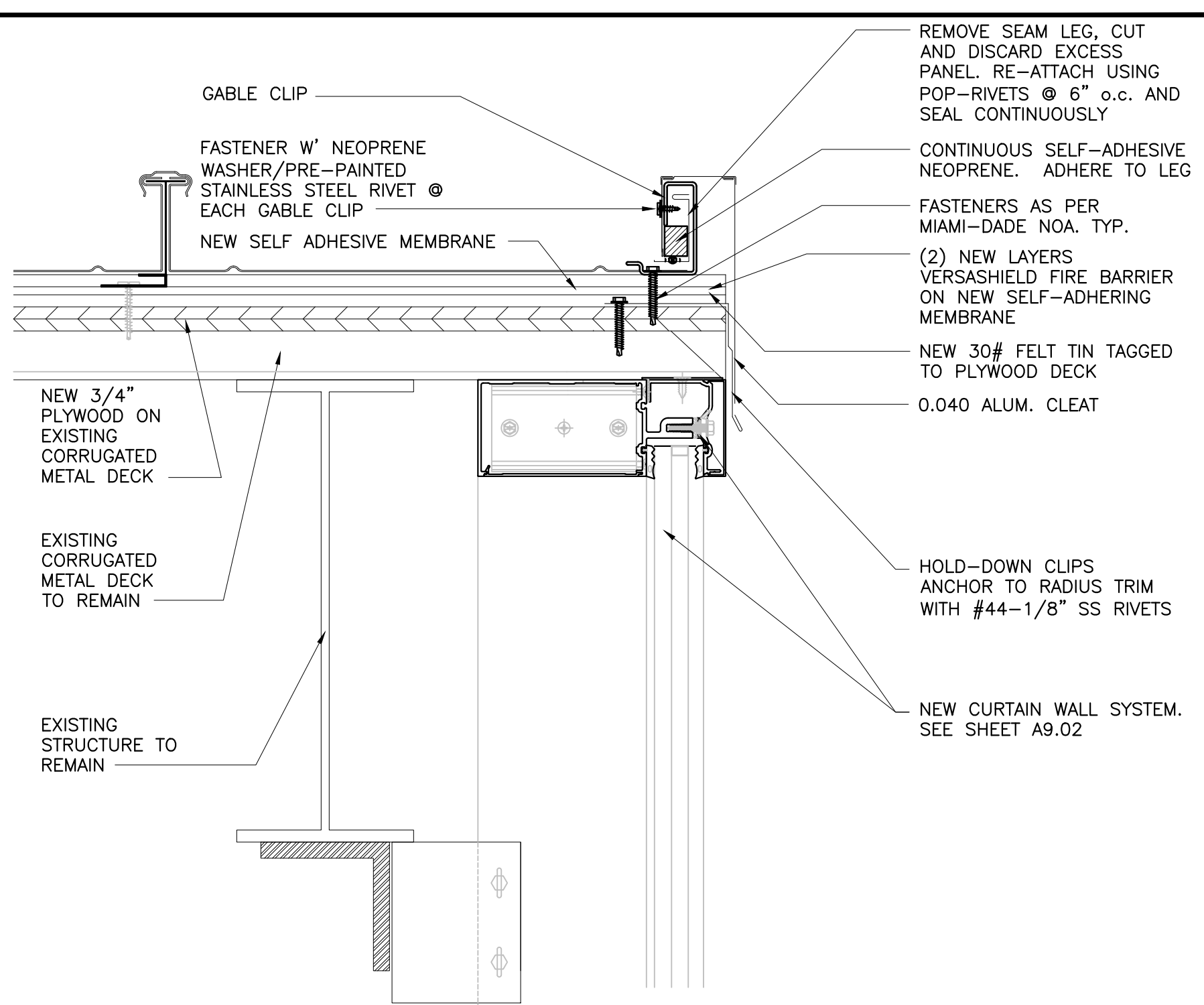


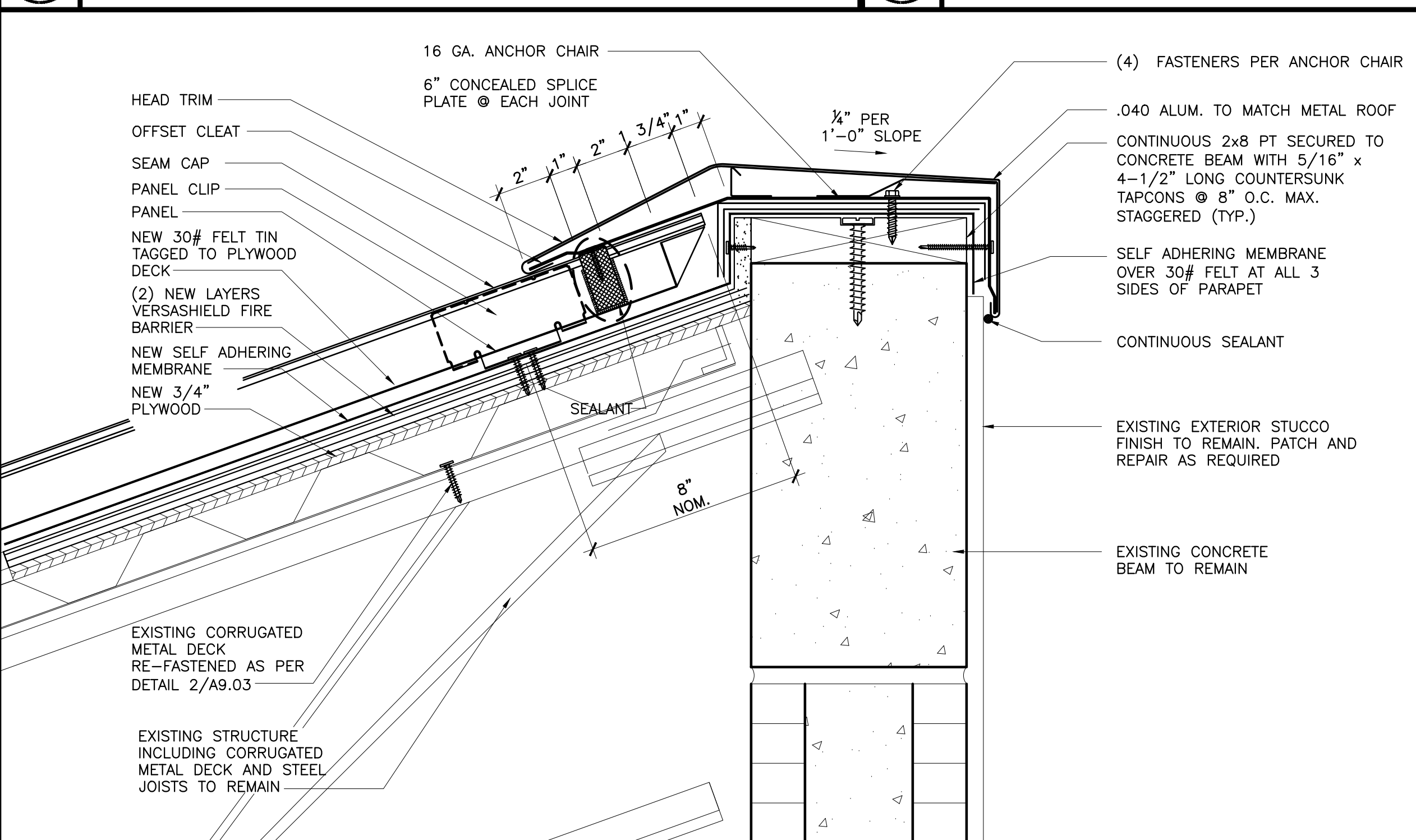
**1** EXHAUST VENT DETAIL AT STANDING SEAM METAL ROOF  
SCALE: NTS



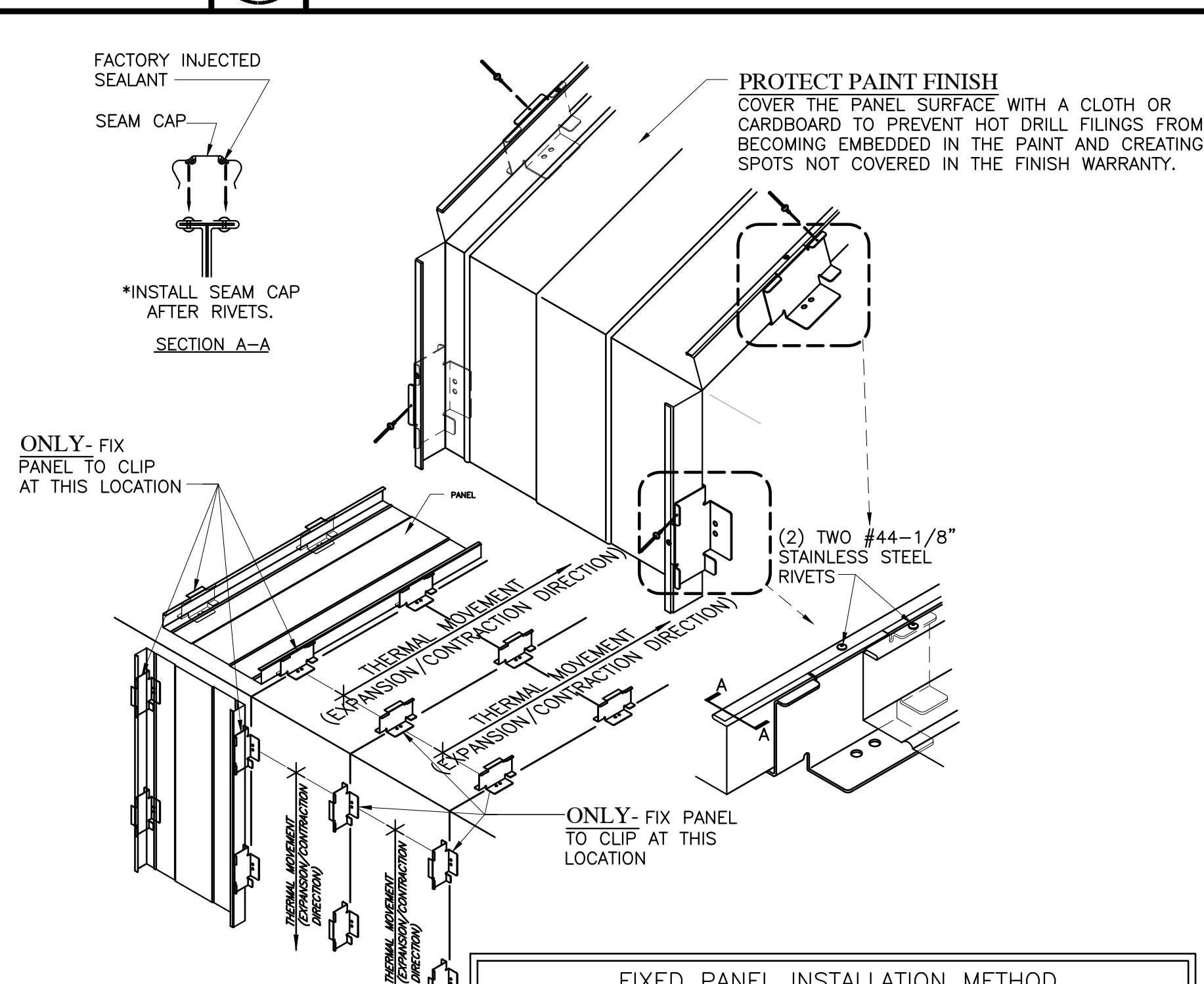
**2** CHANGE OF PLATE - KNEE DETAIL  
SCALE: 3\"/>



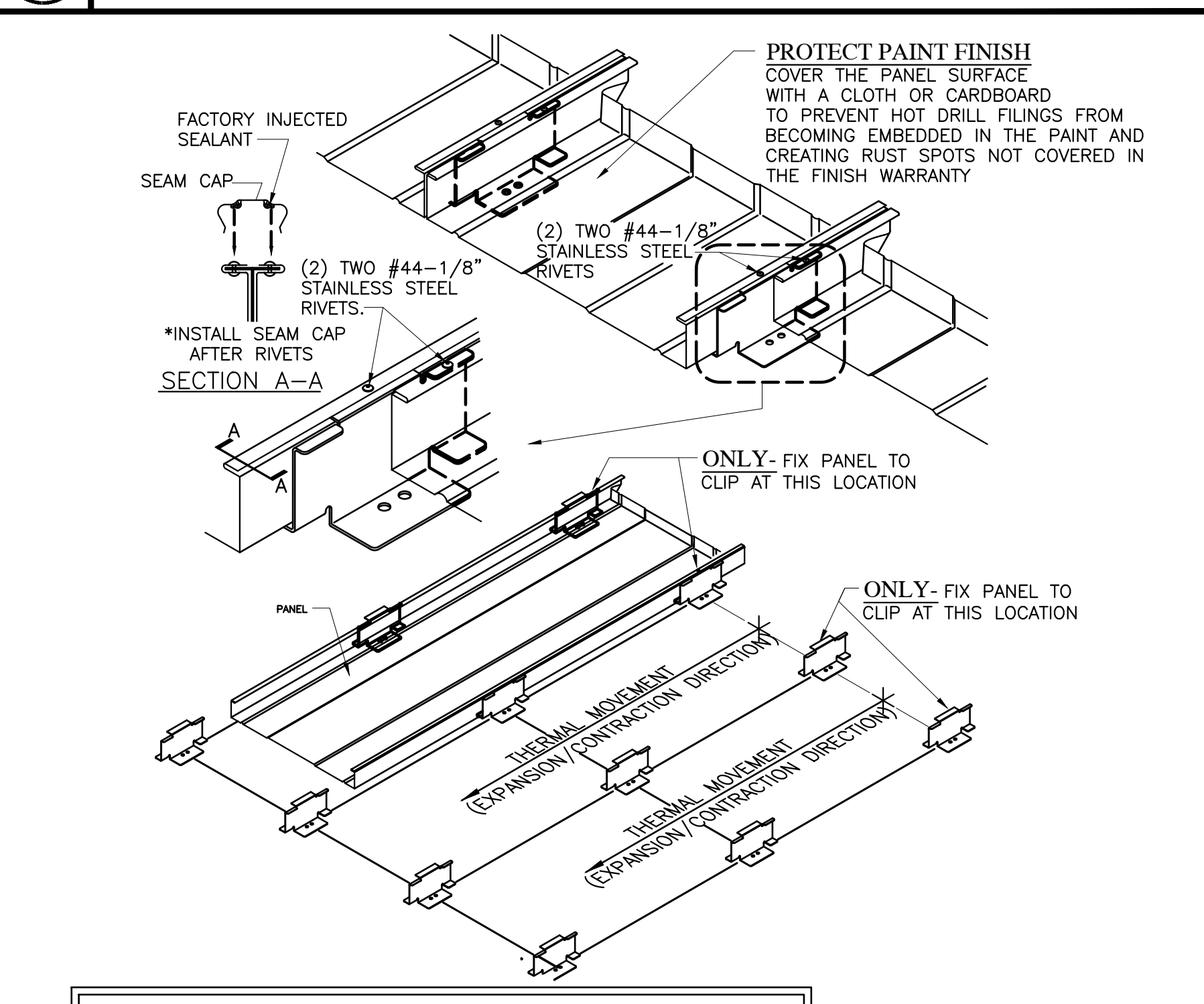
**4** GABLE DETAIL  
SCALE: NTS



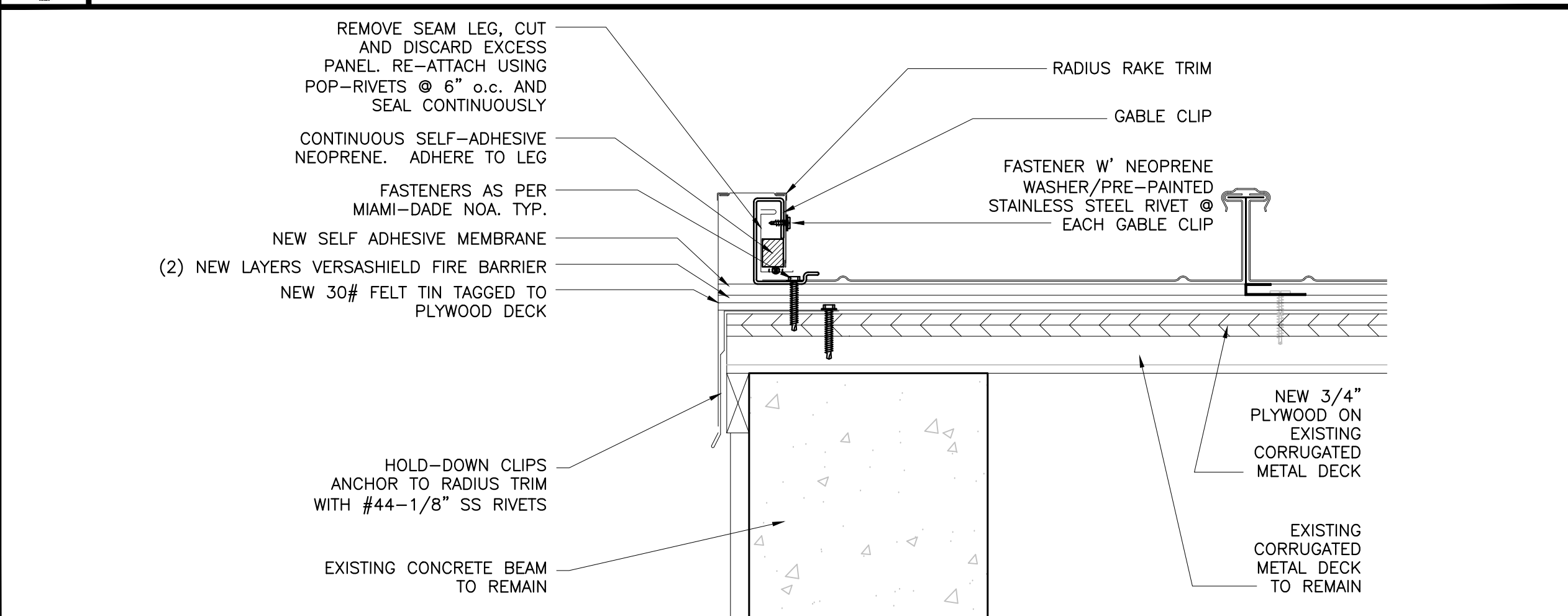
**5** STANDING SEAM-STUCCO WALL COPING DETAIL  
SCALE: NTS



**3** KNEE PLATE ASSEMBLY DETAIL  
SCALE: 3\"/>



**4** GABLE DETAIL  
SCALE: NTS



**6** GABLE DETAIL  
SCALE: NTS

**FIXED PANEL INSTALLATION METHOD**  
TYPICALLY, PANELS ARE "FIXED" ALONG THE RIDGE/HIP/HEAD CONDITIONS AND PANEL THERMAL MOVEMENT IS DIRECTED TOWARD THE EAVE/SILL/VALLEY CONDITIONS. FIX (MECHANICAL ATTACHED) PANELS TO CLIPS AS SHOWN. PROTECT THE PANEL'S PAINT FINISH FROM HOT DRILL FILINGS. THESE FILINGS WILL BECOME SELF-EMBEDDED IN THE PAINT AND CREATE RUST SPOTS NOT COVERED IN THE FINISH WARRANTY. SNAP ON THE SEAM CAP AFTER THE PANEL HAS BEEN RIVETED TO THE PANEL CLIPS. SEE DRAWING. USE THE HAND CRIMPING TOOL AND CRIMP THE SEAM CAPS AT THESE FIXED LOCATIONS. DO NOT RUN THE MOTORIZED ELECTRIC SEAMING MACHINE OVER THESE FIXED LOCATIONS.

**FIXED PANEL LOCATION EXPLANATION**  
THE FIXED PANEL LOCATIONS ILLUSTRATED ON THE ROOF PLAN DESIGNATE A "FIXED LOCATION" BETWEEN THE PANEL AND PANEL CLIP. THIS "FIXED LOCATION" IS A MECHANICAL CONNECTION BETWEEN THESE TWO COMPONENTS, PANEL AND PANEL CLIP. A "FIXED LOCATION" CAN ONLY OCCUR AT ONE LOCATION ON EACH PANEL. DO NOT ATTACH EACH PANEL CLIP TO THE PANEL. THE PANEL MUST BE FIXED (MECHANICAL ATTACHED) AT ONE LOCATION AND ALL REMAINING PANEL CLIPS ALONG THE PANEL MUST NOT BE ATTACHED. ONCE THE PANEL IS FIXED AT THE ONE LOCATION, THE REMAINING NON-ATTACHED PANEL CLIPS WILL ALLOW PANEL THERMAL MOVEMENT. THIS THERMAL MOVEMENT IS EXPANSION AND CONTRACTION OF THE PANEL ALONG ITS' ENTIRE LENGTH.

**FIXED PANEL INSTALLATION METHOD**  
TYPICALLY, PANELS ARE "FIXED" ALONG THE RIDGE/HIP/HEAD CONDITIONS AND PANEL THERMAL MOVEMENT IS DIRECTED TOWARD THE EAVE/SILL/VALLEY CONDITIONS. FIX (MECHANICAL ATTACHED) PANELS TO CLIPS AS SHOWN. PROTECT THE PANEL'S PAINT FINISH FROM HOT DRILL FILINGS. THESE FILINGS WILL BECOME SELF-EMBEDDED IN THE PAINT AND CREATE RUST SPOTS NOT COVERED IN THE FINISH WARRANTY. SNAP ON THE SEAM CAP AFTER THE PANEL HAS BEEN RIVETED TO THE PANEL CLIPS. SEE DRAWING. USE THE HAND CRIMPING TOOL AND CRIMP THE SEAM CAPS AT THESE FIXED LOCATIONS. DO NOT RUN THE MOTORIZED ELECTRIC SEAMING MACHINE OVER THESE FIXED LOCATIONS.

**FIXED PANEL LOCATION EXPLANATION**  
THE FIXED PANEL LOCATIONS ILLUSTRATED ON THE ROOF PLAN DESIGNATE A "FIXED LOCATION" BETWEEN THE PANEL AND PANEL CLIP. THIS "FIXED LOCATION" IS A MECHANICAL CONNECTION BETWEEN THESE TWO COMPONENTS, PANEL AND PANEL CLIP. A "FIXED LOCATION" CAN ONLY OCCUR AT ONE LOCATION ON EACH PANEL. DO NOT ATTACH EACH PANEL CLIP TO THE PANEL. THE PANEL MUST BE FIXED (MECHANICAL ATTACHED) AT ONE LOCATION AND ALL REMAINING PANEL CLIPS ALONG THE PANEL MUST NOT BE ATTACHED. ONCE THE PANEL IS FIXED AT THE ONE LOCATION, THE REMAINING NON-ATTACHED PANEL CLIPS WILL ALLOW PANEL THERMAL MOVEMENT. THIS THERMAL MOVEMENT IS EXPANSION AND CONTRACTION OF THE PANEL ALONG ITS' ENTIRE LENGTH.

**7** FIXED VERTICAL PANEL DETAIL  
SCALE: 3\"/>

**8** FIXED PANEL DETAIL  
SCALE: 3\"/>

**WALTERS ZACKRIA ARCHITECTS**  
5813 N. ANDREWS WAY  
FORT LAUDERDALE, FL 33309  
PHONE: (954) 522-4123  
FAX: (954) 522-4128  
www.wza-architects.com

Abbas H. Zackria, FL AR 91520  
Florida Registration: AA2600970

CORPORATE NAME: WALTERS ZACKRIA ASSOCIATES, PLLC REGISTERED IN THE STATE OF FLORIDA. WRITTEN DIMENSIONS TAKE PRECEDENCE OVER SCALED DIMENSIONS. THESE DRAWINGS ARE THE PROPERTY OF WALTERS ZACKRIA ASSOCIATES, PLLC, AND SHALL NOT BE REPRODUCED WITHOUT WRITTEN PERMISSION FROM A PRINCIPAL OF THE FIRM OR BE LIABLE FOR THE FULLEST LEGAL RECOURSE. CONTRACTOR SHALL VERIFY ALL EXISTING CONDITIONS AND DIMENSIONS AND NOTIFY THE ARCHITECT OF ANY DISCREPANCIES PRIOR TO EXECUTION OF WORK.

**CITY OF NORTH LAUDERDALE**  
**FIRE STATION 44 RENOVATION**  
**WIND MITIGATION PROJECT**  
7700 HAMPTON BLVD.  
NORTH LAUDERDALE, FL 33068

DRAWN BY: OM/AC  
CHECKED BY: AZ  
DATE: 03/12/20  
REVISIONS:

1905  
SHEET  
**A5.03**  
ROOF DETAILS