

DOOR SCHEDULE										HARDWARE	
DOOR NO	DOORS					FRAME		REMARKS	DESIGN PRESSURES	LOCK SET TYPE	
	W	H	TH	MATL	TYPE SEE ELEV	FINISH	MAT'L				FINISH
01	14'-0"	16'-8"	-	MTL	AA	KYNAR	-	-	FOLDING BAY DOOR *	+42.00 -46.00	
02	14'-0"	16'-8"	-	MTL	AA	KYNAR	-	-	FOLDING BAY DOOR *	+42.00 -46.00	
03	14'-0"	16'-8"	-	MTL	AA	KYNAR	-	-	FOLDING BAY DOOR *	+42.00 -46.00	
04	14'-0"	16'-8"	-	MTL	AA	KYNAR	-	-	FOLDING BAY DOOR *	+42.00 -46.00	
05	14'-0"	16'-8"	-	MTL	BB	KYNAR	-	-	OVERHEAD DOOR **	+42.00 -46.00	
06	14'-0"	16'-8"	-	MTL	BB	KYNAR	-	-	OVERHEAD DOOR **	+42.00 -46.00	
07	14'-0"	16'-8"	-	MTL	BB	KYNAR	-	-	OVERHEAD DOOR **	+42.00 -46.00	
08	14'-0"	16'-8"	-	MTL	BB	KYNAR	-	-	OVERHEAD DOOR **	+42.00 -46.00	
09	3'-0"	6'-8"	1 3/4"	MTL	CC	PNT	MTL	PNT	-	1/A9.01	1
10	(2) 3'-0"	6'-8"	1 3/4"	MTL	DD	PNT	MTL	PNT	-	1/A9.01	3
11	(2) 2'-6"	6'-8"	1 3/4"	MTL	EE	PNT	MTL	PNT	-	1/A9.01	3
12	3'-0"	6'-8"	1 3/4"	MTL	FF	PNT	MTL	PNT	-	1/A9.01	2
13	3'-0"	6'-8"	1 3/4"	MTL	CC	PNT	MTL	PNT	-	1/A9.01	1
14	3'-0"	6'-8"	1 3/4"	MTL	CC	PNT	MTL	PNT	-	1/A9.01	1
15	3'-0"	6'-8"	1 3/4"	MTL	CC	PNT	MTL	PNT	-	1/A9.01	1

* DOORS 01-04: FOUR FOLD APPARATUS BAY METAL DOORS WITH OVERHEAD HIGH SPEED POWER OPERATOR AND HIGH CYCLE DURABILITY. DESIGN FOR 1,000,000 CYCLES MIN. AND A SPEED OF 24" PER SECOND MIN. DOOR FRAME 11 GA. STRUCTURAL STEEL TUBE & 14 GA. SHEET STEEL. FULLY WEATHER STRIPPED W/ TIGHT PERIMETER WEATHER SEAL PACKAGE. KYNAR COATED - MODEL # FF701-XT HURRICANE EXTERIOR FOLDING SERIES BY DOOR ENGINEERING AND MANUFACTURING LLC OR APPROVED EQUAL

** DOORS 05-08: HIGH CYCLE, GALVANIZED METAL ROLLING DOOR BY CORNELL IRON WORKS INC. OR APPROVED EQUAL. POWER OPERATED W/ 5F FLAT SLAT. HOT DIPPED GALVANIZED STEEL BOTTOM BAR, CURTAIN, HOOD, AND COVER. HOT DIPPED GALVANIZED GUIDES AND HEAD PLATES. DESIGN FOR 300,000 CYCLES MIN. FULLY WEATHER STRIPPED W/ PERIMETER WEATHER SEAL PACKAGE. KYNAR COATED. BY CORNELL IRON WORKS INC. OR APPROVED EQUAL.

NOTES FOR ALL EXTERIOR DOORS:

- ALL EXTERIOR APPARATUS BAY DOORS INCLUDING FOLDING DOORS, OVERHEAD DOORS, AND EXTERIOR MAN DOORS THROUGHOUT THE BUILDING TO HAVE MIAMI-DADE NOA OR FLORIDA PRODUCT APPROVAL. WIND-LOAD DESIGN PRESSURE CALCULATIONS SHALL BE FOR 200 MPH WIND SPEEDS
- LARGE MISSILE TEST SHALL BE LEVEL E, PERFORMED WITH AN IMPACT SPEED OF 80 FEET PER SECOND FOR RISK CATEGORY IV-ESSENTIAL FACILITY BUILDINGS.
- ALL EXTERIOR DOORS SHALL PASS TAS 202-94 TESTING FOR AIR LEAKAGE AND WATER INFILTRATION

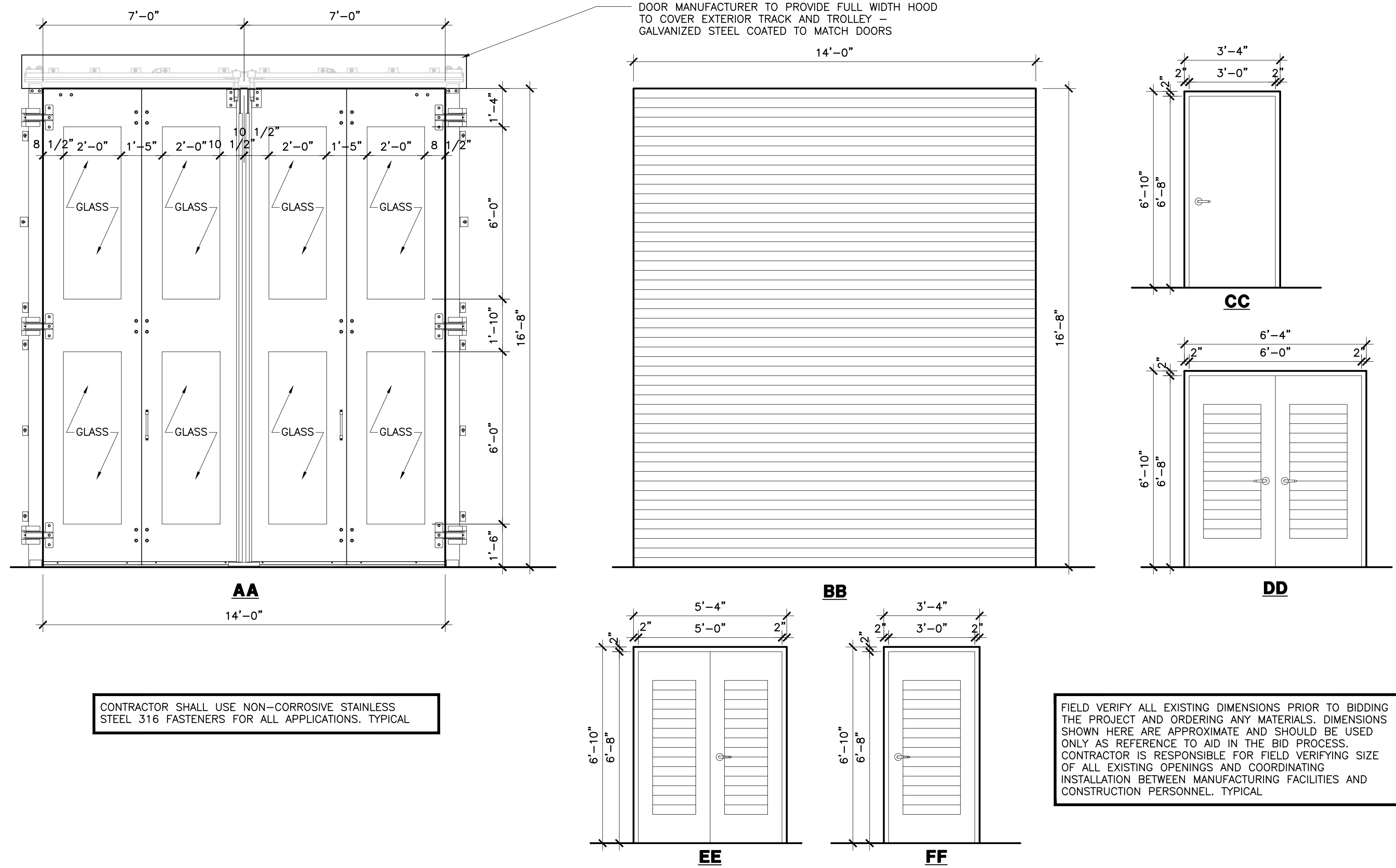
ALL HARDWARE TO COMPLY WITH THE FLORIDA BUILDING CODE SIXTH EDITION (2017) ACCESSIBILITY

LOCKSET TYPE:

- CLASSROOM LOCKSET F05 (HEAVY DUTY MORTISE), WEATHER STRIP, THRESHOLD, HINGES, DOOR STOP, CLOSER
- STOREROOM LOCKSET F07, WEATHER STRIP, THRESHOLD, HINGES, DOOR STOP
- STOREROOM LOCKSET F07, THRESHOLD, HINGES, DOOR STOP, FLUSHBOLT, WEATHERSTRIP

HARDWARE

LOCK SPECIFICATION - "BEST" 40H SERIES LOCKS - HEAVY DUTY LEVER - 14K FINISH - 626 MORTISE LOCK

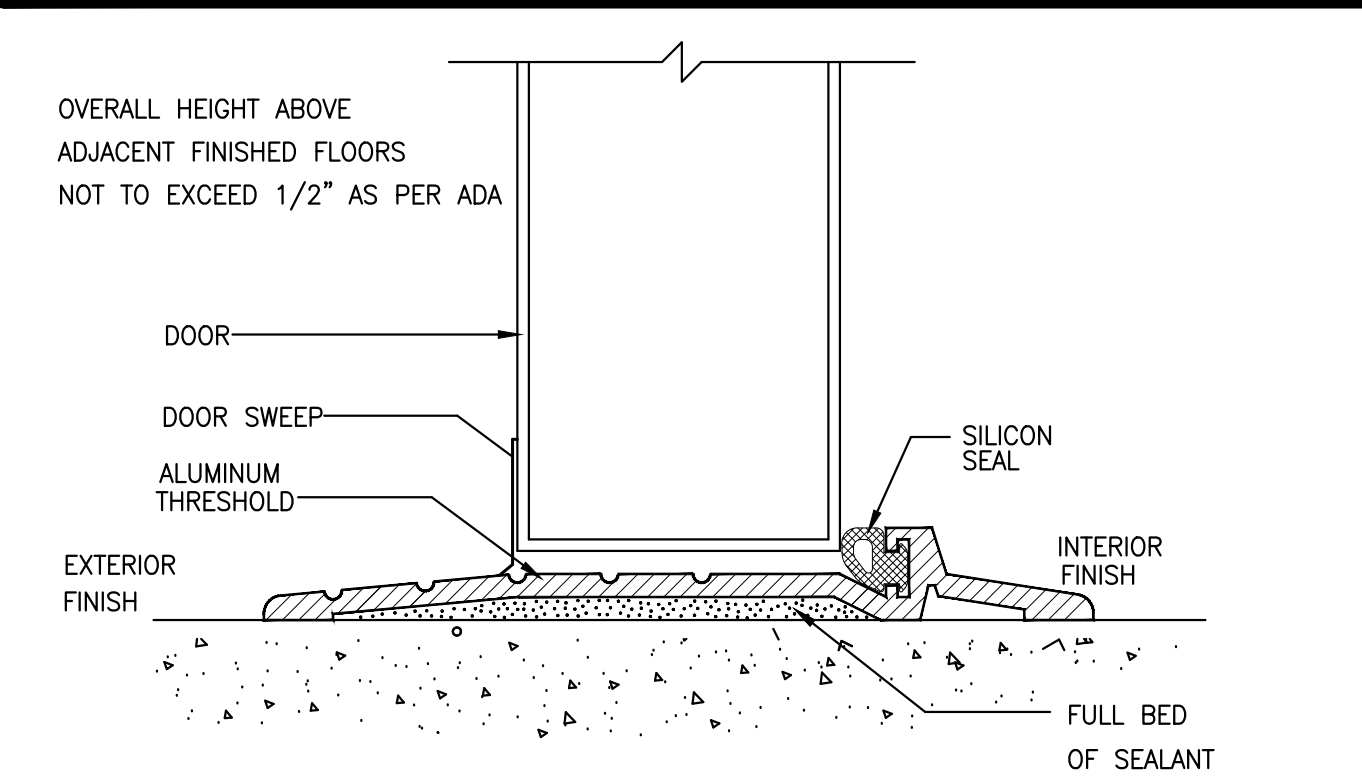


CONTRACTOR SHALL USE NON-CORROSIVE STAINLESS STEEL 316 FASTENERS FOR ALL APPLICATIONS. TYPICAL

FIELD VERIFY ALL EXISTING DIMENSIONS PRIOR TO BIDDING THE PROJECT AND ORDERING ANY MATERIALS. DIMENSIONS SHOWN HERE ARE APPROXIMATE AND SHOULD BE USED ONLY AS REFERENCE TO AID IN THE BID PROCESS. CONTRACTOR IS RESPONSIBLE FOR FIELD VERIFYING SIZE OF ALL EXISTING OPENINGS AND COORDINATING INSTALLATION BETWEEN MANUFACTURING FACILITIES AND CONSTRUCTION PERSONNEL. TYPICAL

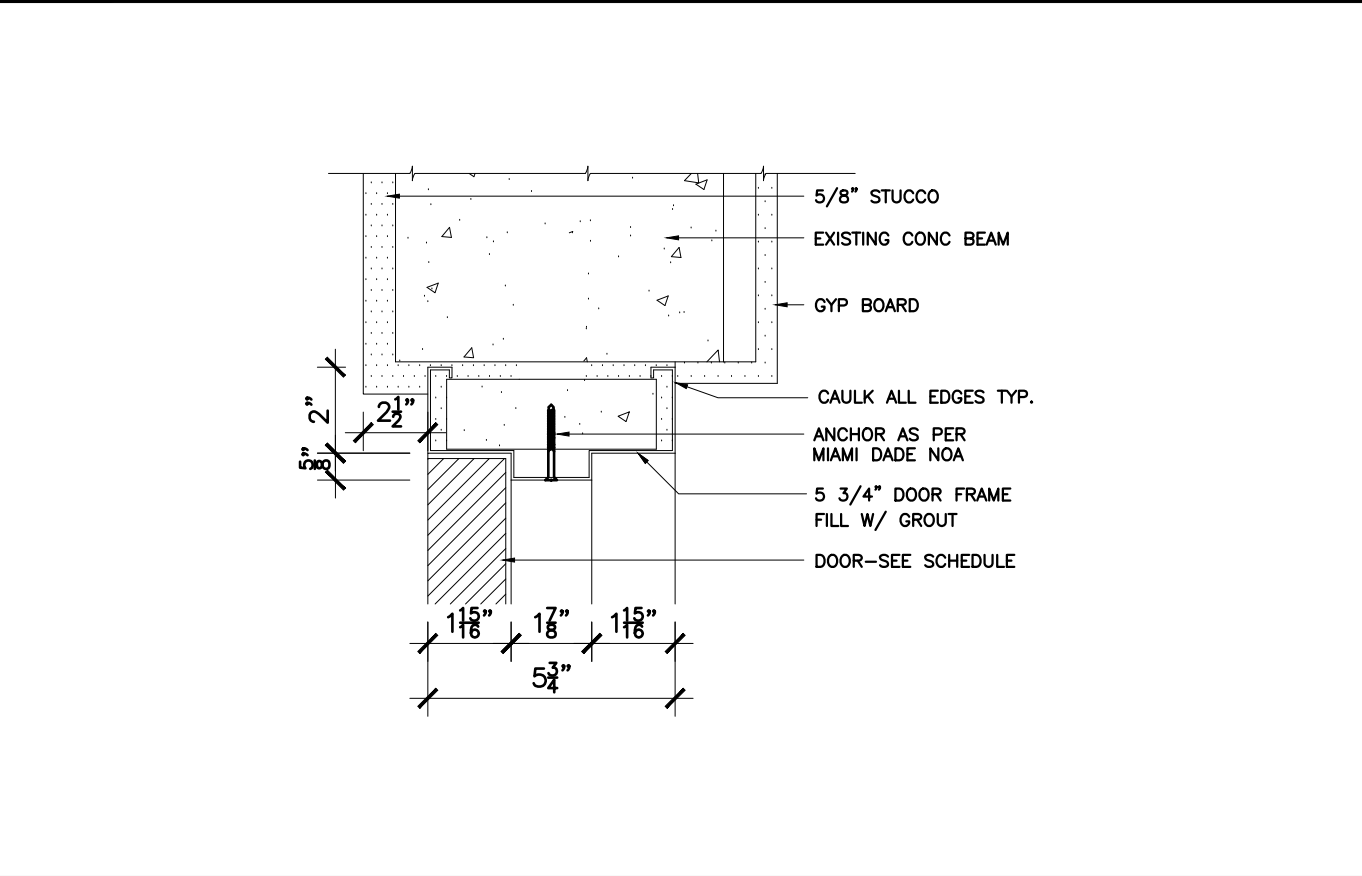
DOOR SCHEDULE / ELEVATIONS

SCALE: 3/8" = 1'-0"



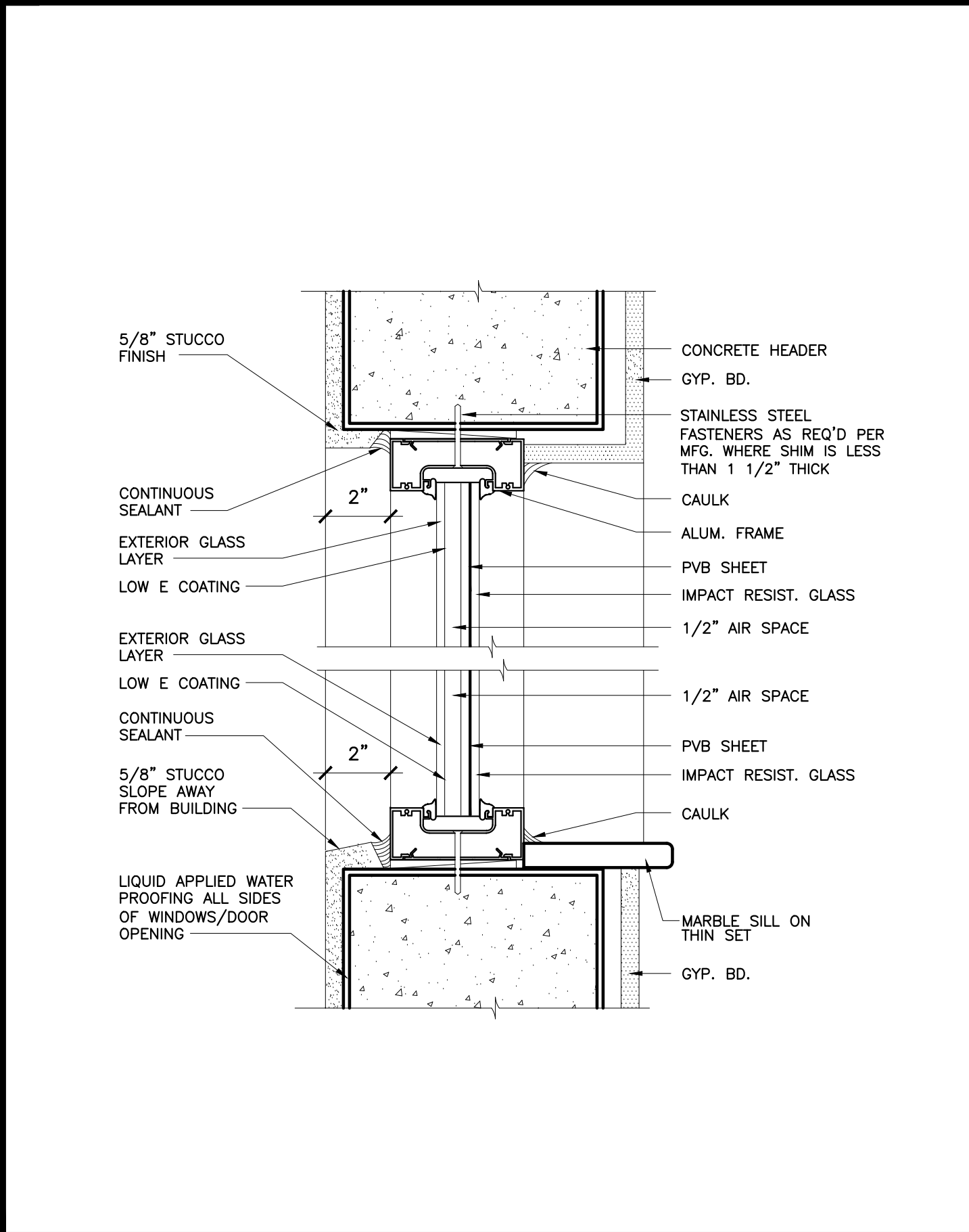
1 EXTERIOR ALUMINUM THRESHOLD

SCALE: NTS



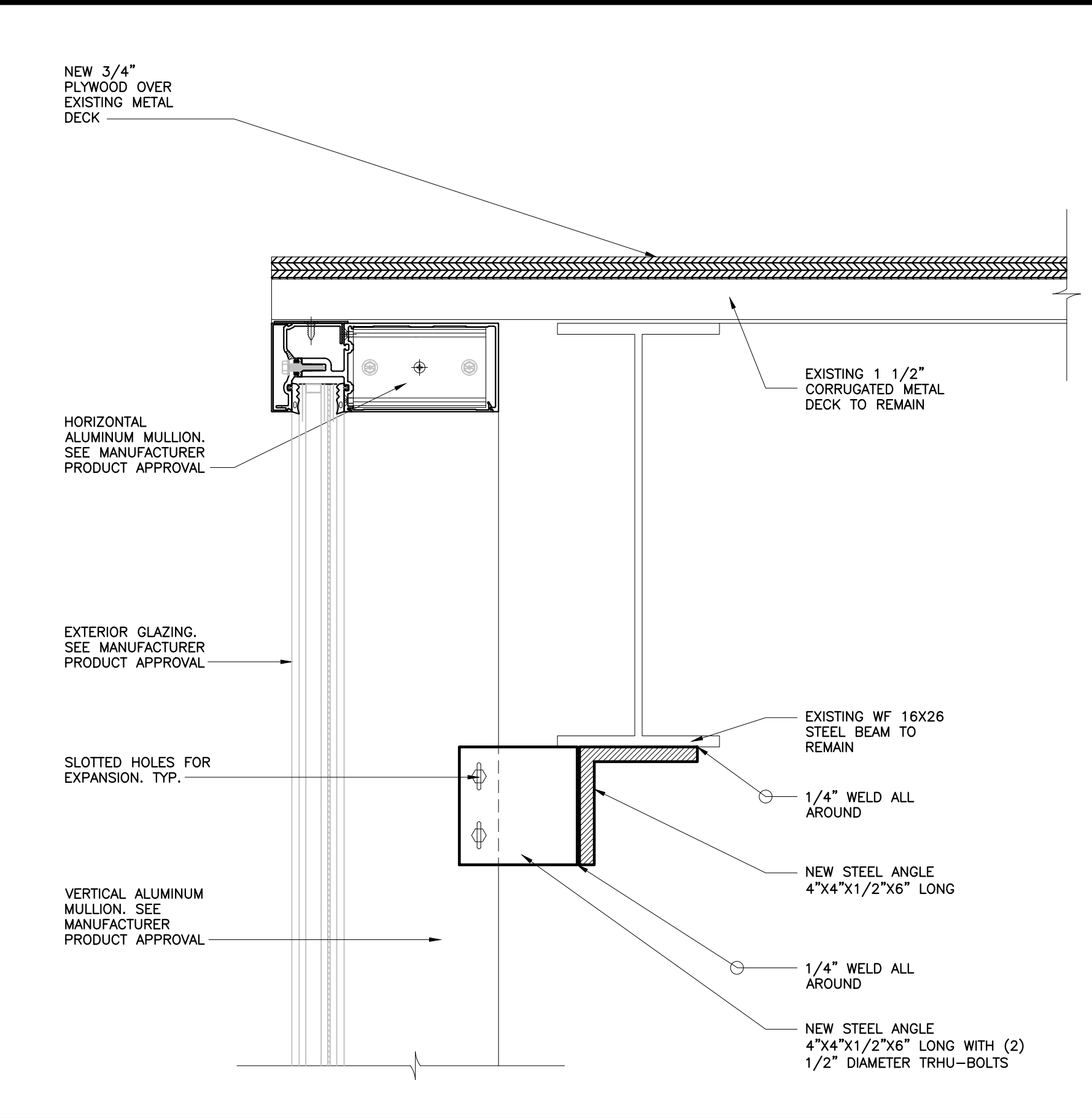
2 DOOR JAMB/HEAD

SCALE: NTS



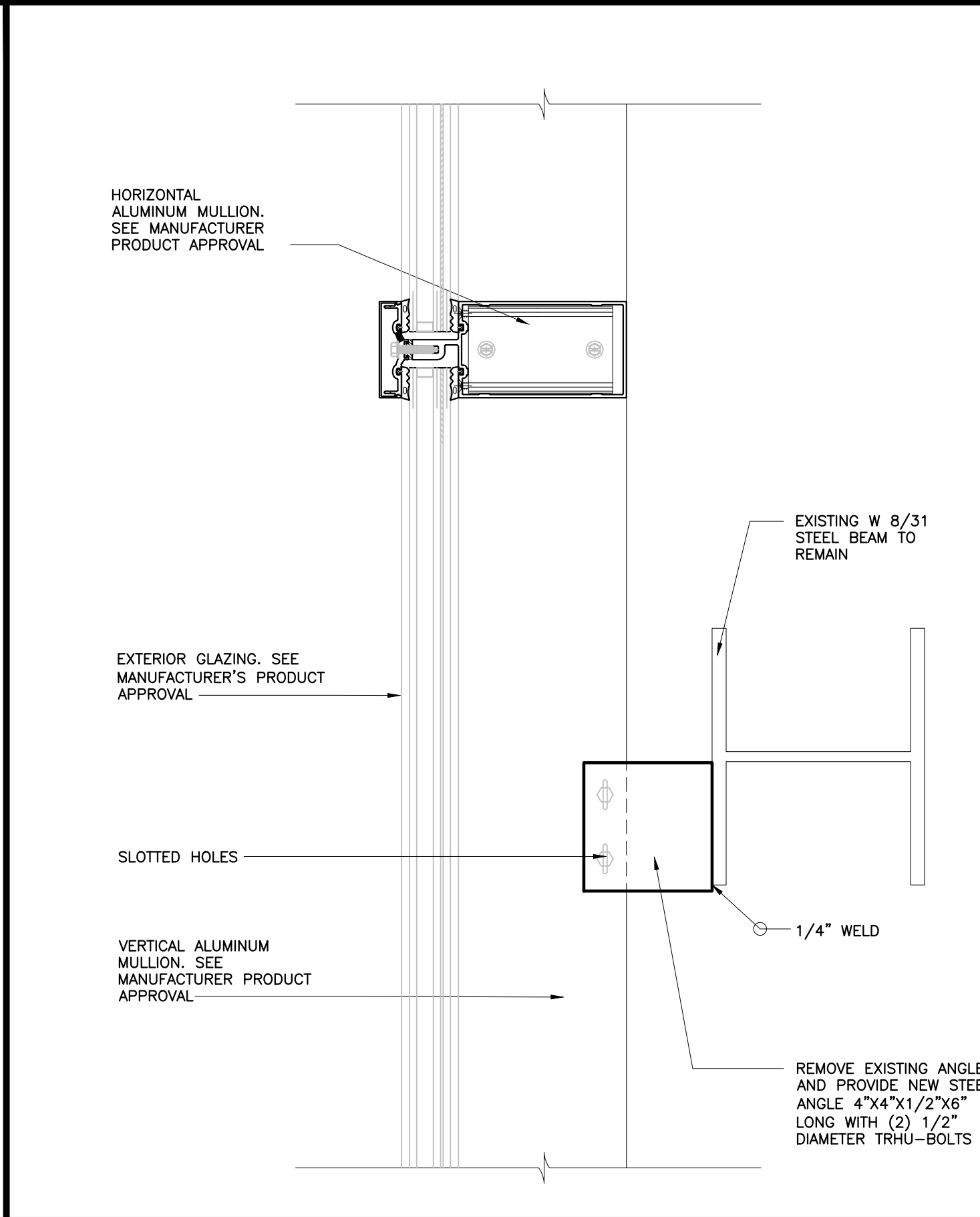
3 STOREFRONT HEAD AND SILL DETAILS

SCALE: NTS



4 CURTAIN WALL DETAIL

SCALE: 3" = 1'-0"



5 CURTAIN WALL DETAIL

SCALE: 3" = 1'-0"

WALTERS ZACKRIA ARCHITECTS
 5813 N. ANDREWS WAY
 FORT LAUDERDALE, FL 33309
 PHONE: (954) 522-4123
 FAX: (954) 522-4128
 www.wza-architects.com
 Abbas H. Zackria, FL AR 91520
 Florida Registration: AA2600970
 CORPORATE NAME: WALTERS ZACKRIA ASSOCIATES, PLLC REGISTERED IN THE STATE OF FLORIDA. WRITTEN DIMENSIONS TAKE PRECEDENCE OVER SCALED DIMENSIONS. THESE DRAWINGS ARE THE PROPERTY OF WALTERS ZACKRIA ASSOCIATES, PLLC, AND SHALL NOT BE REPRODUCED WITHOUT WRITTEN PERMISSION FROM A PRINCIPAL OF THE FIRM OR BE LIABLE FOR THE FULLEST LEGAL RECOURSE. CONTRACTOR SHALL VERIFY ALL EXISTING CONDITIONS AND DIMENSIONS AND NOTIFY THE ARCHITECT OF ANY DISCREPANCIES PRIOR TO EXECUTION OF WORK.

**CITY OF NORTH LAUDERDALE
 FIRE STATION 44 RENOVATION
 WIND MITIGATION PROJECT
 7700 HAMPTON BLVD.
 NORTH LAUDERDALE, FL 33068**

DRAWN BY: OM/AC
 CHECKED BY: AZ
 DATE: 03/12/20
 REVISIONS:

1905
 SHEET
A9.01

DOOR SCHEDULE DETAILS